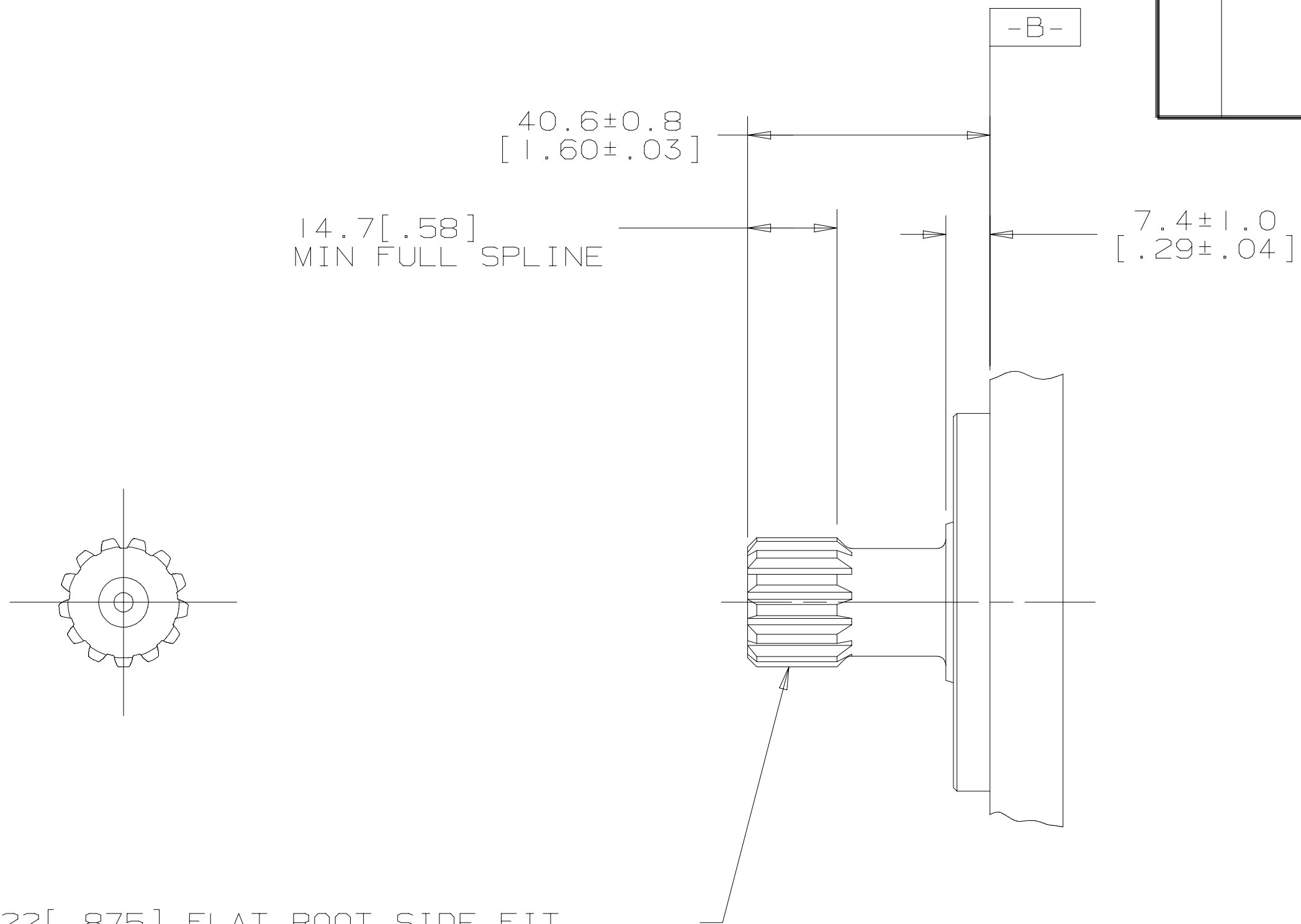


REV	DESCRIPTION	BY	DATE	ECN
A	ENGINEERING RELEASE	SDR	3-16-93	M8011



Ø22.22 [.875] FLAT ROOT SIDE FIT
 13 TOOTH 16/32 DP 30° INVOLUTE SPLINE
 TO FIT ANSI B92.1 1976

NOTE

- 1 MOUNTING TYPE: OPTION J
- 2 OUTPUT SHAFT: OPTION 16

M G

UNLESS OTHERWISE SPECIFIED ALL DIMENSIONS ARE IN INCHES <input type="checkbox"/> MILLIMETERS <input checked="" type="checkbox"/> TOLERANCES .X ± ---- .XX ± REF .XXX ± ONLY < ± ---- UNSPECIFIED RADII ARE UNSPECIFIED DRAFT ANGLES ARE DRAWING FORMAT CADD <input checked="" type="checkbox"/> MANUAL <input type="checkbox"/>	DRAWING BASED ON ANSI Y14.5M-1982	
	THE REPRODUCTION, DISTRIBUTION, AND UTILIZATION OF THIS DOCUMENT, AS WELL AS THE COMMUNICATION OF ITS CONTENTS TO OTHERS WITHOUT EXPLICIT AUTHORIZATION IS PROHIBITED. OFFENDERS WILL BE HELD LIABLE FOR THE PAYMENT OF DAMAGES. ALL RIGHTS RESERVED IN THE EVENT OF THE GRANT OF A PATENT, UTILITY MODEL, OR DESIGN. (PER ISO 16016)	
DRAWN BY/DATE SDR 3-24-93 CHECKED BY/DATE ENGRG BY/DATE METALLURGY BY/DATE	MATERIAL/HEAT TREAT TITLE SHAFT INSTALLATION	
THIRD ANGLE PROJECTION DO NOT SCALE	NUMBER A-722-016 SCALE 1/1 SHEET 1 OF 1	

