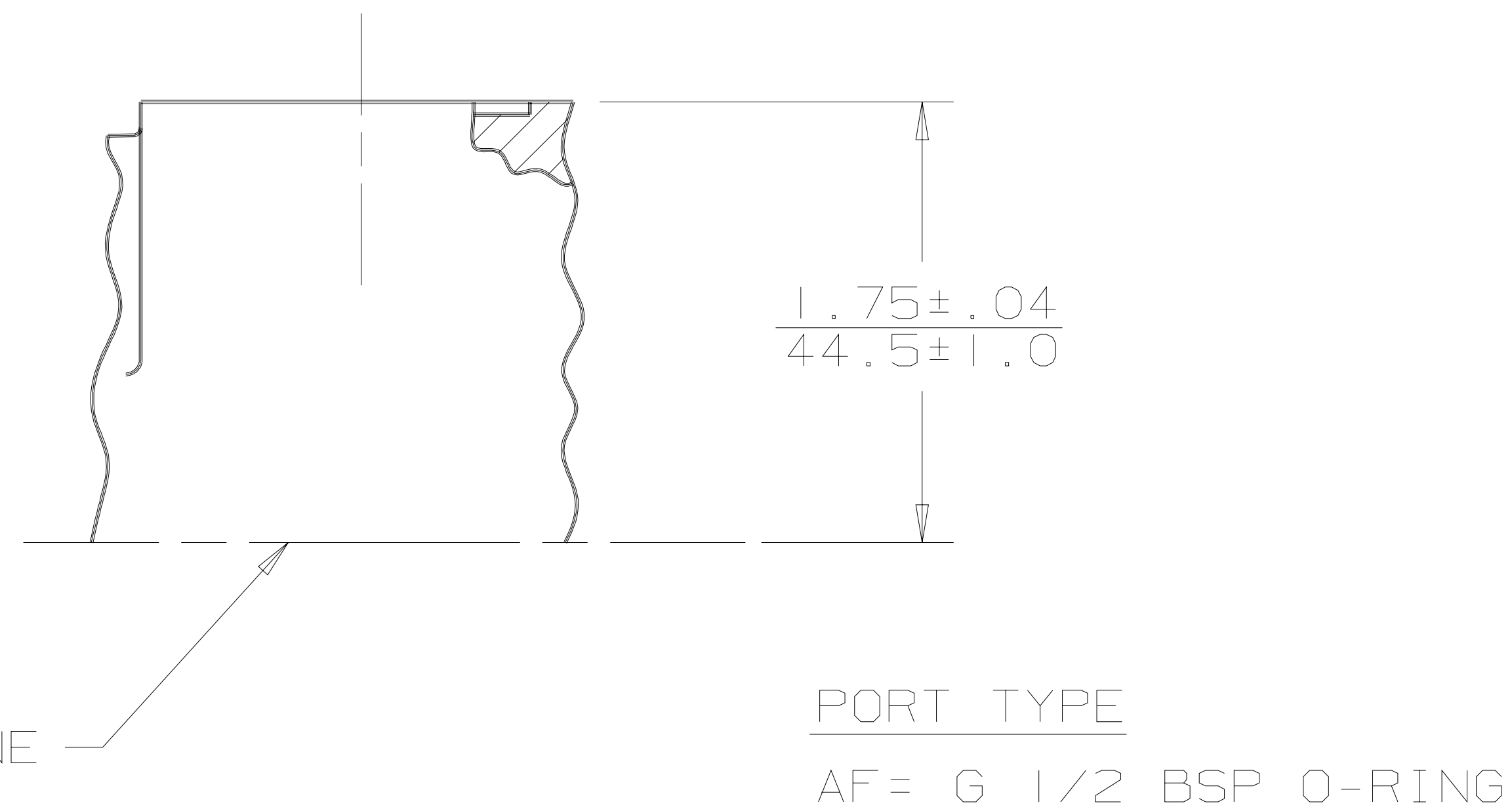
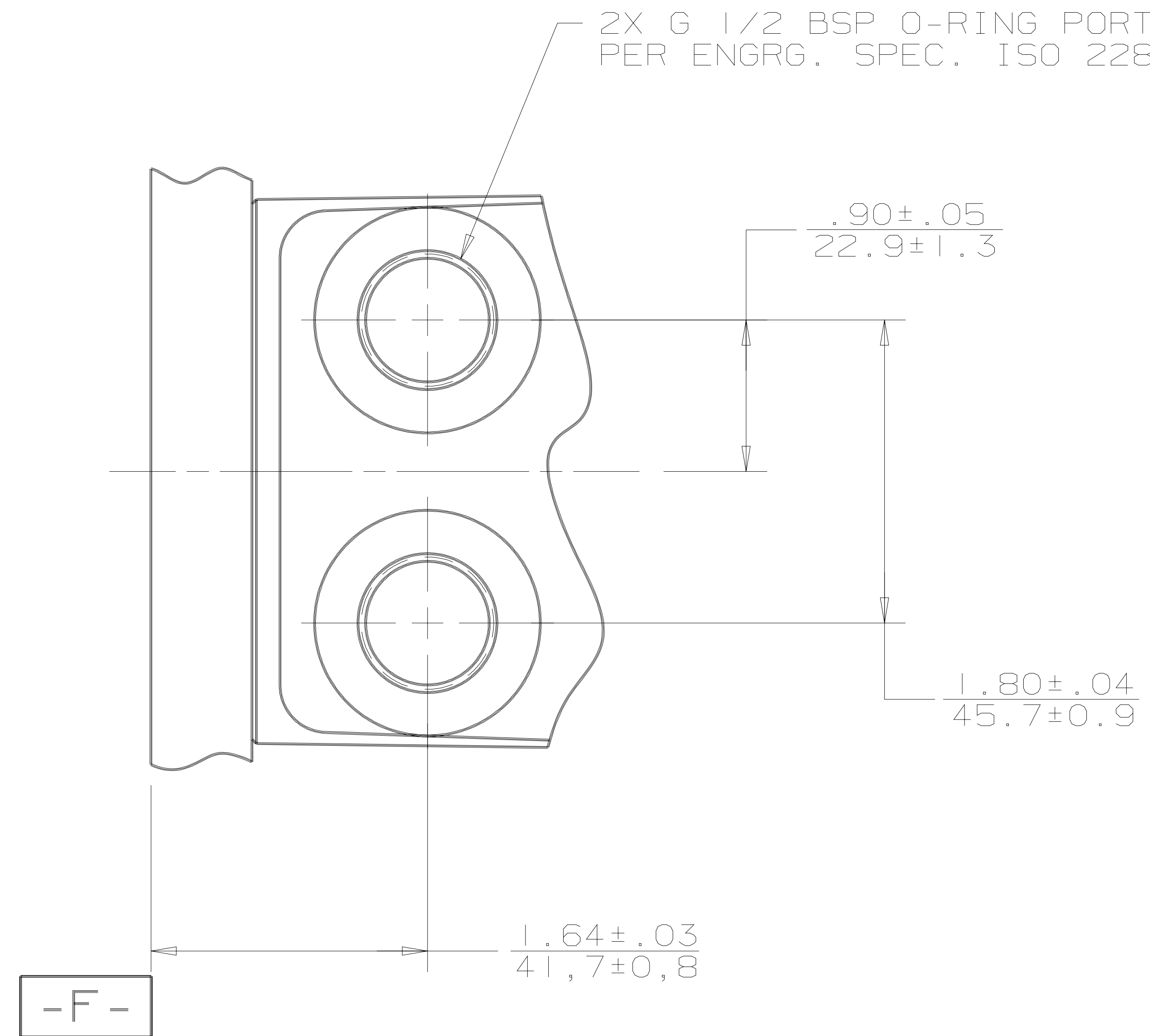


SYM	REVISION	BY	DATE	ECN
A	ENGINEERING RELEASE	DK	11-10-87	14736
B	PORT TYPE OPTION WAS "E"	SSD	03-27-07	0004356
C	REVISED	SSD	07-31-08	M6531



UNLESS OTHERWISE SPECIFIED ALL DIMENSIONS ARE IN INCHES <input type="checkbox"/> MILLIMETERS [INCHES] <input checked="" type="checkbox"/>	DRAWING BASED ON ANSI Y14.5M-1982		
	THE REPRODUCTION, DISTRIBUTION, AND UTILIZATION OF THIS DOCUMENT, AS WELL AS THE COMMUNICATION OF ITS CONTENTS TO OTHERS WITHOUT EXPLICIT AUTHORIZATION IS PROHIBITED. OFFENDERS WILL BE HELD LIABLE FOR THE PAYMENT OF DAMAGES. ALL RIGHTS RESERVED IN THE EVENT OF THE GRANT OF A PATENT, UTILITY MODEL, OR DESIGN. (PER ISO 16016)		
TOLERANCES .X ± -- .XX ± -- .XXX ± -- ∅ ± --°	DRAWN DK BY/DATE 11-18-87	MATERIAL/HEAT TREAT - -	
UNSPECIFIED RADII ARE: -----	CHECKED - BY/DATE -	TITLE PORT INSTALLATION	
UNSPECIFIED DRAFT ANGLES ARE: -----°	ENGRG - BY/DATE -	NUMBER A-110-005	
B SIZE	THIRD ANGLE PROJECTION DO NOT SCALE	MICROINCHES <input type="checkbox"/> MICROMETERS [MICROINCHES] <input checked="" type="checkbox"/> ARITHMETICAL AVERAGE <input checked="" type="checkbox"/>	SCALE 1/1 SHEET 1 OF 1