

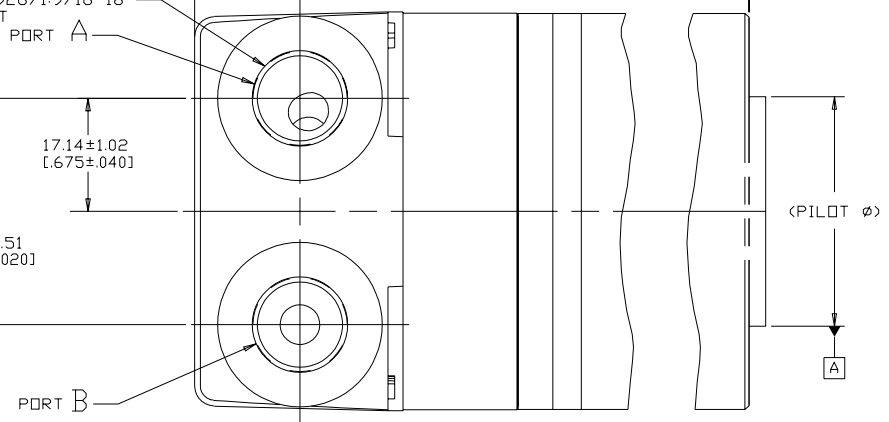
DISPL CODE	D	C MAX
05	87.10±0.81 [3.429±.032]	104.17 [4.101]
08	91.17±0.81 [3.550±.032]	107.24 [4.222]
10	92.41±0.81 [3.638±.032]	109.47 [4.310]
12	94.62±0.81 [3.725±.032]	111.68 [4.397]
19	102.26±0.81 [4.026±.032]	119.33 [4.698]
30	113.61±0.81 [4.473±.032]	130.68 [5.145]

REV	DESCRIPTION	BY	DATE	ECN
A	ENGINEERING RELEASE	RAF	1-25-94	24688
B	(3D) REVISED C MAX TAB	RAF	3-15-94	25312
C	(4D) ADDED DISPL CODE 30	GCB	5-6-96	M15295
D	REVISED	HRK	1-20-10	22274
E	REVISED FOR STACK-UP	YUP	03-27-15	M96200
F	-1>(3C)(3B)>(2C) REVISED PICTORIALY -2>DIMENSIONS REVISED FOR STACK-UP	YUP	03-27-15	0062470

2X SAE J1926/1:9/16-18
O-RING PORT

17.14±1.02
[.675±.040]

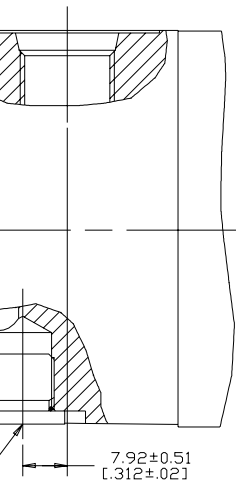
34.29±.51
[1.350±.020]



30.61±1.24
[1.205±.049]

26.42±.86
[1.040±.034]

SAE J1926/1:3/8-24
O-RING PORT
CASE DRAIN



NOTE
1 PORT TYPE D

REVIEWED FOR CLASSIFICATION PER ESP -042

UNLESS OTHERWISE SPECIFIED ALL DIMENSIONS ARE IN		DRAWING BASED ON ASME Y14.5-2009	
INCHES <input type="checkbox"/>	MILLIMETERS <input checked="" type="checkbox"/>	THE REPRODUCTION, DISTRIBUTION, AND UTILIZATION OF THIS DOCUMENT, AS WELL AS THE COMMUNICATION OF ITS CONTENTS TO OTHERS WITHOUT EXPLICIT AUTHORIZATION IS PROHIBITED. OFFENDERS WILL BE HELD LIABLE FOR THE PAYMENT OF DAMAGES. ALL RIGHTS RESERVED IN THE EVENT OF THE GRANT OF A PATENT, UTILITY MODEL, OR DESIGN (PER ISO 18016)	
TOLERANCES		MATERIAL/HEAT TREAT	
x ± ----	xx ± REF		
xxx ± ONLY	≤ ----	DRAWN BY/DATE RAF 1/27/94	
UNSPECIFIED RADI ARE	-----	CHECKED BY/DATE AGJ 2/9/94	
UNSPECIFIED DRAFT ANGLES ARE	-----	ENGRG BY/DATE WBW 2/9/94	
D SIZE	DD NOT SCALE	METALLURGY BY/DATE	
THIRD ANGLE PROJECTION		TITLE	
ARITHMETICAL AVERAGE		J2 MOTOR PORT INSTALLATION	
MICROINCHES <input type="checkbox"/> MILLIMETERS <input checked="" type="checkbox"/>		NUMBER	
SCALE 2/1		A-818-004	
SHEET 1 OF 1			

