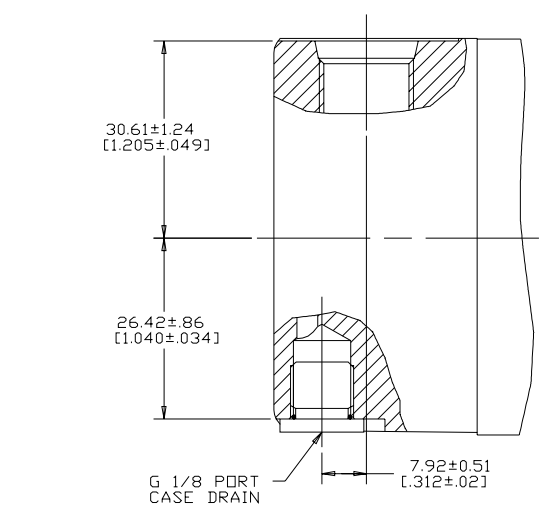
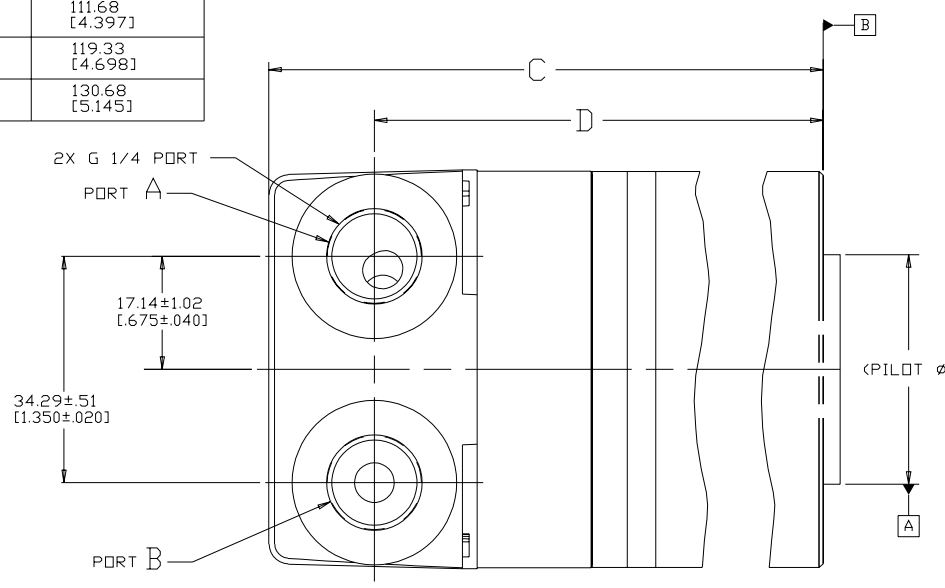


DISPL CODE	D	C MAX
05	87.10±0.81 [3.429±.032]	104.17 [4.101]
08	91.17±0.81 [3.550±.032]	107.24 [4.222]
10	92.41±0.81 [3.638±.032]	109.47 [4.310]
12	94.62±0.81 [3.725±.032]	111.68 [4.397]
19	102.26±0.81 [4.026±.032]	119.33 [4.698]
30	113.61±0.81 [4.473±.032]	130.68 [5.145]

REV	DESCRIPTION	BY	DATE	ECN
A	ENGINEERING RELEASE	RAF	1-23-96	27675
B	<4D>ADDED DISPL CODE 30	GCB	5-6-96	M15295
C	-1><4D>ADDED DISP CODE 10 TO TABULATION BLOCK -2><3B><3C><3A>REVISED PICTORIALY -3>REVISED AS PER STACK UP -4>DRAWING UPDATED TO ASME Y14.5-2009 STANDARD	YUP	03-27-15	0062470



NOTE
1 PORT TYPE F

REVIEWED FOR CLASSIFICATION PER ESP -042

UNLESS OTHERWISE SPECIFIED ALL DIMENSIONS ARE IN		DRAWING BASED ON ASME Y14.5-2009	
INCHES <input type="checkbox"/>	MILLIMETERS <input checked="" type="checkbox"/>	THE REPRODUCTION, DISTRIBUTION, AND UTILIZATION OF THIS DOCUMENT, AS WELL AS THE COMMUNICATION OF ITS CONTENTS TO OTHERS WITHOUT EXPLICIT AUTHORIZATION IS PROHIBITED. OFFENDERS WILL BE HELD LIABLE FOR THE PAYMENT OF DAMAGES. ALL RIGHTS RESERVED IN THE EVENT OF THE GRANT OF A PATENT, UTILITY MODEL, OR DESIGN (PER ISO 10116)	
TOLERANCES			
x ± ----	xx + REF	DRAWN BY/DATE RAF 2-9-96	MATERIAL/HEAT TREAT
xxx + ONLY	∠ ----	CHECKED BY/DATE SDR 2-21-96	
UNSPECIFIED RADII ARE ----	UNSPECIFIED DRAFT ANGLES ARE ----	ENGRG BY/DATE RVA 2-22-96	TITLE
		METALLURGY BY/DATE ----	J2 MOTOR PORT INSTALLATION
		THIRD ANGLE PROJECTION	MICROINCHES <input type="checkbox"/> NUMBER
		ARITHMETICAL AVERAGE <input checked="" type="checkbox"/>	A-818-030
D SIZE	DD NOT SCALE	SCALE 2/1	SHEET 1 OF 1