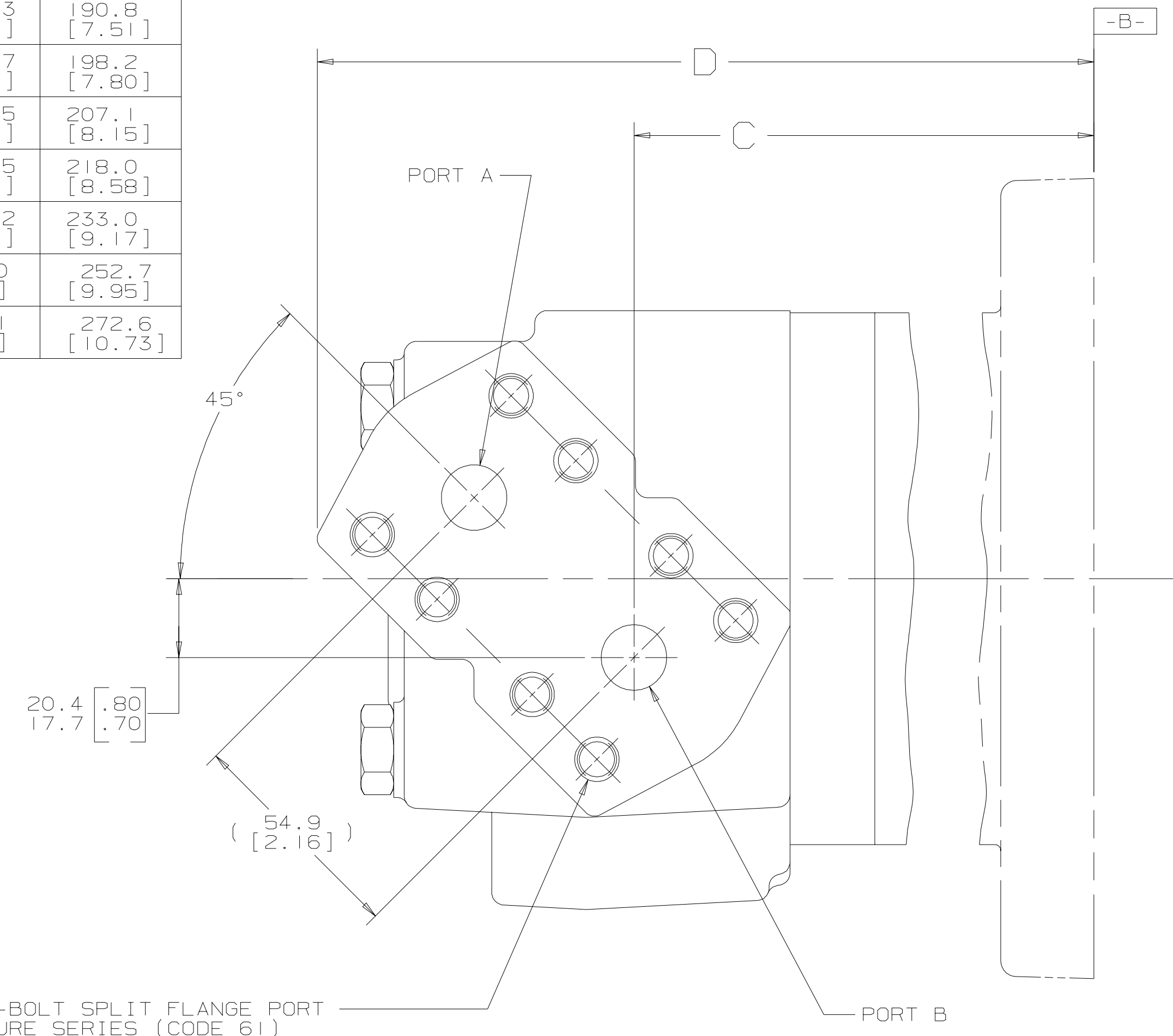
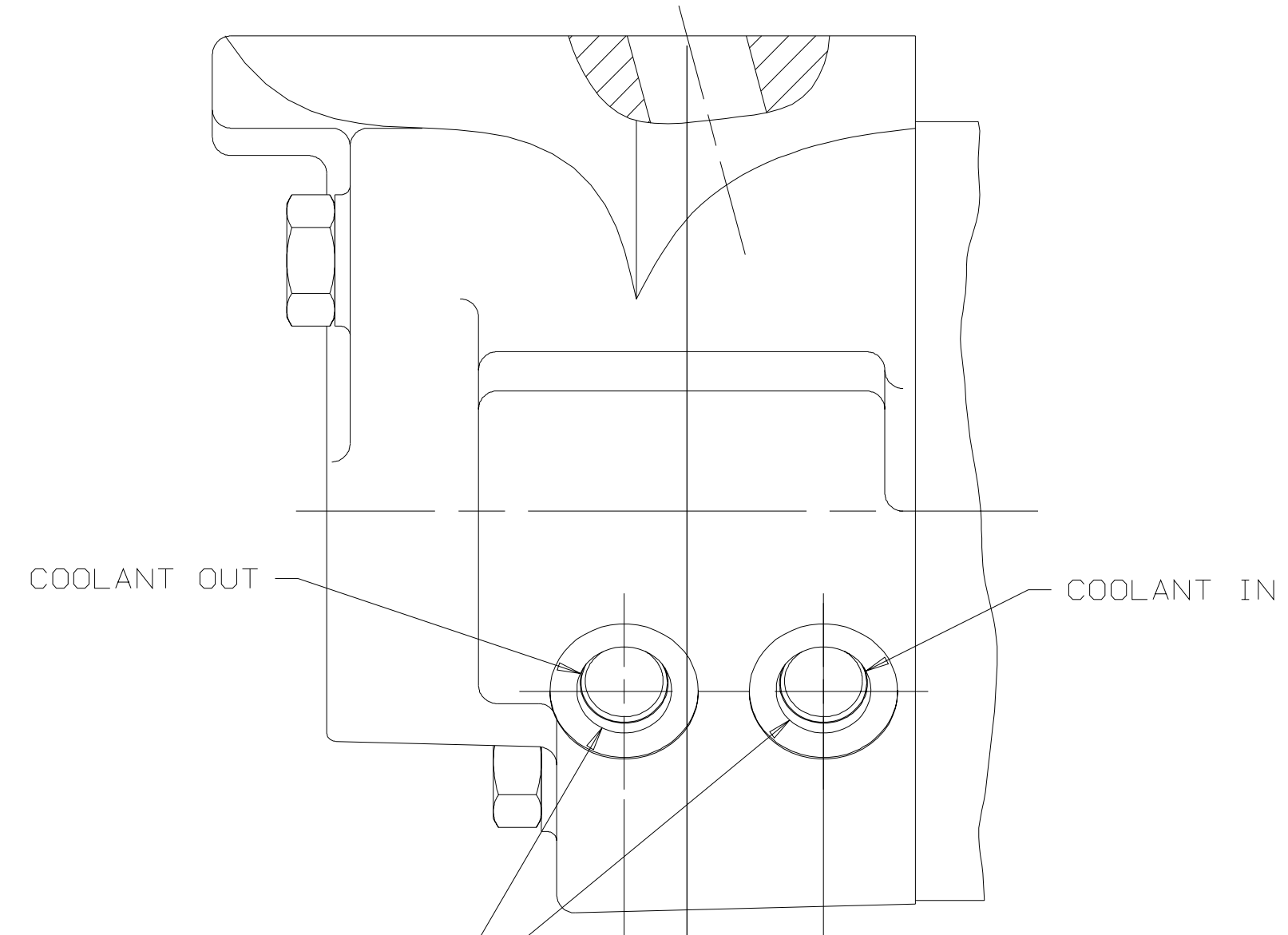
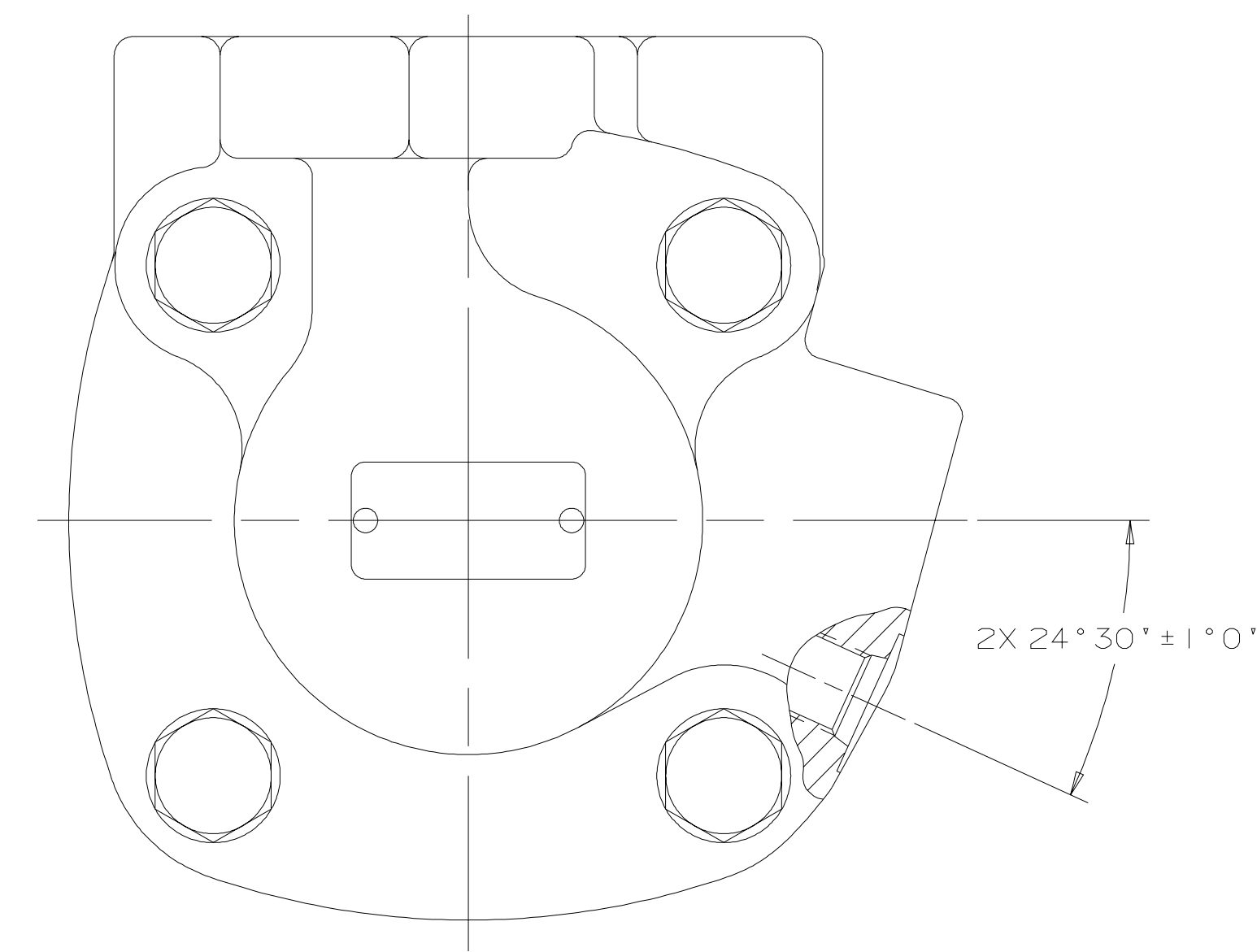


MOUNTING TYPE AA			MOUNTING TYPE AB & AE			MOUNTING TYPE AC		
DISP	C	D MAX	DISP	C	D MAX	DISP	C	D MAX
120	104.1-107.5 [4.10-4.23]	188.0 [7.40]	120	185.9-189.5 [7.32-7.46]	270.1 [10.63]	120	101.0-104.7 [3.98-4.12]	185.2 [7.29]
150	109.7-113.1 [4.32-4.45]	193.6 [7.62]	150	191.5-195.1 [7.54-7.68]	275.6 [10.85]	150	106.6-110.3 [4.20-4.34]	190.8 [7.51]
190	116.8-120.2 [4.60-4.73]	200.7 [7.90]	190	198.8-202.5 [7.83-7.97]	283.0 [11.14]	190	114.0-117.7 [4.49-4.63]	198.2 [7.80]
239	125.7-129.1 [4.95-5.08]	209.6 [8.25]	239	207.5-211.1 [8.17-8.31]	291.6 [11.48]	239	122.9-126.5 [4.84-4.98]	207.1 [8.15]
300	136.9-140.3 [5.39-5.52]	220.8 [8.69]	300	218.6-222.3 [8.61-8.75]	302.8 [11.92]	300	133.8-137.5 [5.27-5.41]	218.0 [8.58]
381	151.3-154.7 [5.96-6.09]	235.5 [9.27]	381	233.3-237.1 [9.19-9.34]	318.6 [12.54]	381	148.8-151.2 [5.86-5.95]	233.0 [9.17]
490	171.2-174.5 [6.74-6.87]	255.3 [10.05]	490	253.2-257.0 [9.97-10.12]	338.3 [13.32]	490	168.7-171.0 [6.64-6.73]	252.7 [9.95]
600	191.2-194.6 [7.53-7.66]	275.1 [10.83]	600	273.0-276.9 [10.75-10.90]	357.4 [14.07]	600	188.2-192.1 [7.41-7.56]	272.6 [10.73]

REV	DESCRIPTION	BY	CHK	DATE	ECN
A	ENGINEERING RELEASE	GCB			29339
B	ADDED DISPLACEMENT CODE "49" TO ALL TABS	CMR		7-23-98	31517
C	REVISED	JSB		12-11-06	0001664



2X 19.0[.75] 4-BOLT SPLIT FLANGE PORT  
STANDARD PRESSURE SERIES (CODE 61)  
EXCEPT  $\nabla$  20.0[.79] MIN



9/16-18 UNF-2B SAE O-RING PORT  
CASE DRAIN

22.7±0.5  
[.89±.02]

10.4±0.5  
[.41±.02]

NOTE  
1 PORT OPTION AB

G K S

UNLESS OTHERWISE SPECIFIED ALL DIMENSIONS ARE IN INCHES <input type="checkbox"/> MILLIMETERS <input checked="" type="checkbox"/>		DRAWING BASED ON ANSI Y14.5M-1982	
TOLERANCES .X +---- .XX +REF .XXX +ONLY < +----		THE REPRODUCTION, DISTRIBUTION, AND UTILIZATION OF THIS DOCUMENT, AS WELL AS THE COMMUNICATION OF ITS CONTENTS TO OTHERS WITHOUT EXPLICIT AUTHORIZATION IS PROHIBITED. OFFENDERS WILL BE HELD LIABLE FOR THE PAYMENT OF DAMAGES. ALL RIGHTS RESERVED IN THE EVENT OF THE GRANT OF A PATENT, UTILITY MODEL, OR DESIGN. (PER ISO 16016)	
DRAWN BY/DATE GCB 2-26-97 CHECKED BY/DATE RAF 4-30-97		MATERIAL/HEAT TREAT	
UNSPECIFIED RADI ARE UNSPECIFIED DRAFT ANGLES ARE		ENGRG BY/DATE VJD 5-8-97 METALLURGY BY/DATE	
DRAWING FORMAT CADD <input checked="" type="checkbox"/> MANUAL <input type="checkbox"/>		THIRD ANGLE PROJECTION	
DO NOT SCALE		MICROINCHES <input type="checkbox"/> MILLIMETERS <input checked="" type="checkbox"/>	
ARITHMETICAL AVERAGE		NUMBER A-1025-003	
SCALE 1/1		SHEET 1 OF 1	

