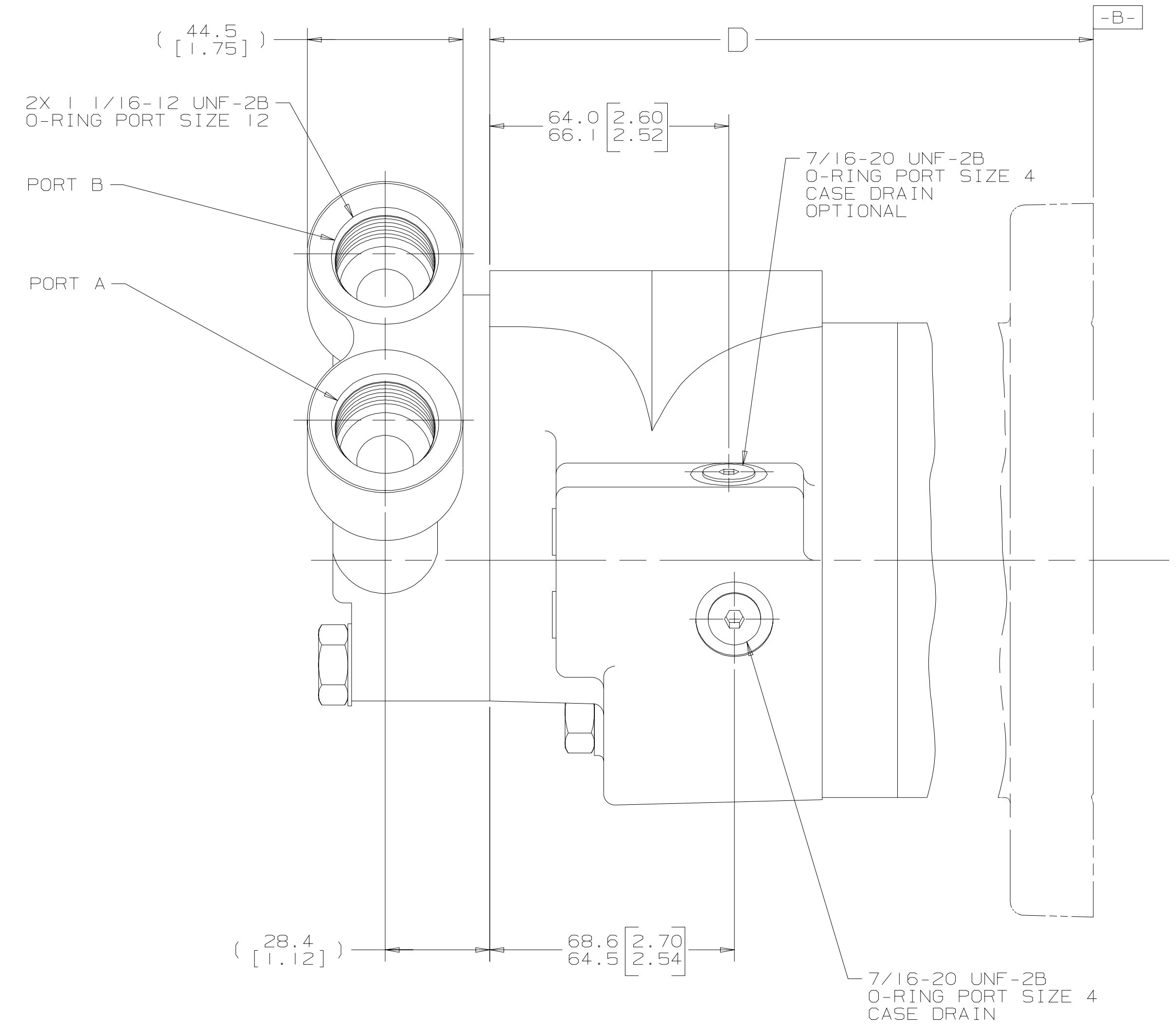
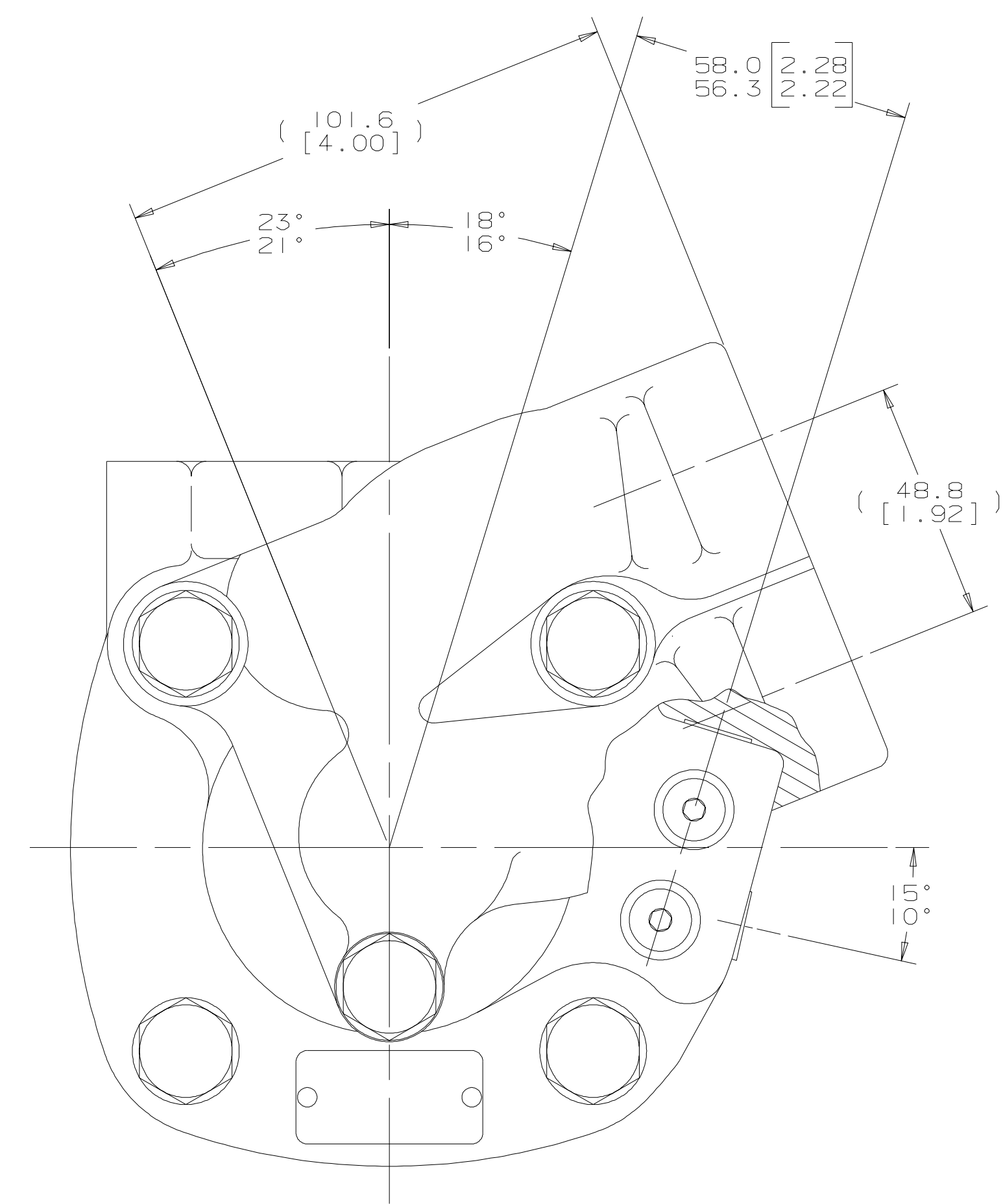


MOUNTING TYPE AA	
DISP	D
120	157.4-159.8 [6.20-6.29]
150	163.0-165.4 [6.42-6.51]
190	170.1-172.5 [6.70-6.79]
239	179.0-181.4 [7.05-7.14]
300	190.2-192.6 [7.49-7.58]
381	205.0-207.0 [8.07-8.15]
490	224.8-226.8 [8.85-8.93]
600	244.9-246.9 [9.64-9.72]

REV	DESCRIPTION	BY	CHK	DATE	ECN
A	ENGINEERING RELEASE	RAF	SDR	8-30-95	M14044
B	-1)(5C)PORT A WAS PORT B -2)(5C)PORT B WAS PORT A	AGJ	RAF	4-16-97	29478
C	ADDED DISPLACEMENT CODE "49" TO ALL TABS	CMR		7-23-98	31517
D	REVISED	JSB		12-11-06	0001664



NOTE
1 PORT OPTION AD

G K S

UNLESS OTHERWISE SPECIFIED ALL DIMENSIONS ARE IN		DRAWING BASED ON ANSI Y14.5M-1982	
INCHES <input type="checkbox"/>	MILLIMETERS <input checked="" type="checkbox"/>	THE REPRODUCTION, DISTRIBUTION, AND UTILIZATION OF THIS DOCUMENT, AS WELL AS THE COMMUNICATION OF ITS CONTENTS TO OTHERS WITHOUT EXPLICIT AUTHORIZATION IS PROHIBITED. OFFENDERS WILL BE HELD LIABLE FOR THE PAYMENT OF DAMAGES. ALL RIGHTS RESERVED IN THE EVENT OF THE GRANT OF A PATENT, UTILITY MODEL, OR DESIGN. (PER ISO 16016)	
TOLERANCES			
.X	----	DRW BY/DATE RAF 9-1-95	MATERIAL/HEAT TREAT
.XX	+REF	CHEK BY/DATE SDR 9-18-95	
.XXX	+ONLY	ENGR BY/DATE WCW 9-18-95	TITLE
<	----	METALLURGY	6000 SERIES MOTOR PORT INSTALLATION
UNSPECIFIED RADI	ARE		NUMBER
UNSPECIFIED DRAFT ANGLES	ARE	THIRD ANGLE PROJECTION	A-1024-005
DRAWING FORMAT	CAD <input checked="" type="checkbox"/> MANUAL <input type="checkbox"/>	DO NOT SCALE	SCALE 1/1
		ARITHMETICAL AVERAGE	SHEET 1 OF 1