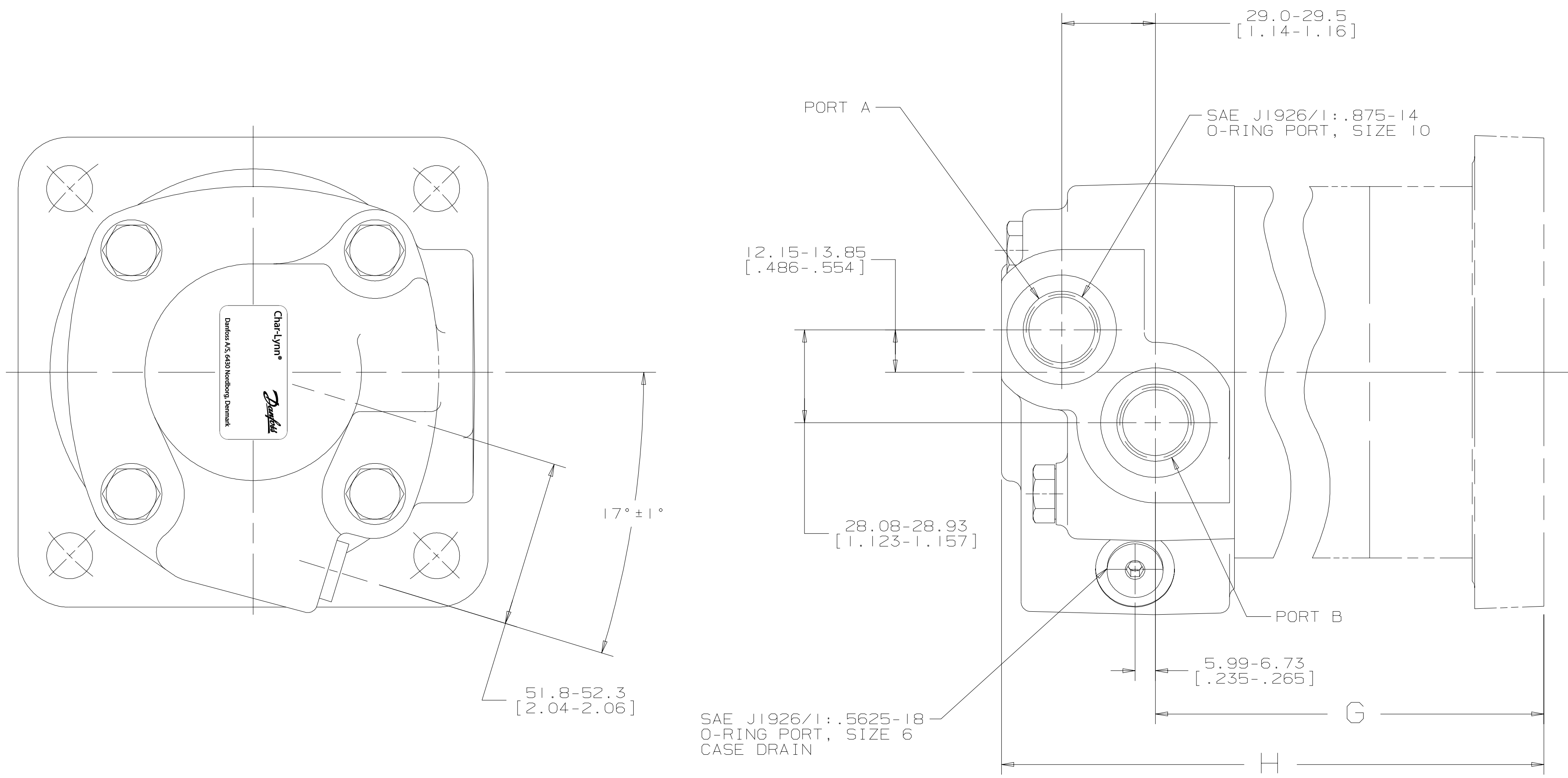


MOUNTING TYPE AA			MOUNTING TYPE AB OR AM			MOUNTING TYPE AC OR AD			MOUNTING TYPE AE			MOUNTING TYPE AF, AJ, AS, AT		
DISP	G	H MAX	DISP	G	H MAX	DISP	G	H MAX	DISP	G	H MAX	DISP	G	H MAX
067	90.6-91.5 [3.57-3.60]	139.9 [5.51]	067	157.6-159.1 [6.20-6.26]	207.5 [8.17]	067	86.9-88.0 [3.42-3.47]	136.4 [5.37]	067	138.5-140.4 [5.45-5.53]	188.7 [7.43]	067	161.7-163.3 [6.37-6.43]	211.7 [8.34]
080	94.6-95.6 [3.73-3.76]	143.9 [5.67]	080	161.6-163.1 [6.36-6.42]	211.5 [8.33]	080	91.0-92.1 [3.58-3.62]	140.5 [5.53]	080	142.5-144.4 [5.61-5.68]	192.8 [7.59]	080	165.8-167.4 [6.53-6.59]	215.8 [8.50]
099	101.0-101.9 [3.98-4.01]	150.3 [5.92]	099	167.9-169.5 [6.61-6.67]	217.9 [8.58]	099	97.3-98.4 [3.83-3.87]	146.8 [5.78]	099	148.8-150.7 [5.86-5.93]	199.1 [7.84]	099	172.1-173.7 [6.78-6.84]	222.1 [8.74]
125	109.5-110.4 [4.31-4.35]	158.8 [6.25]	125	176.5-178.0 [6.95-7.01]	226.4 [8.91]	125	105.8-106.9 [4.17-4.21]	155.3 [6.12]	125	157.2-159.3 [6.19-6.27]	207.6 [8.18]	125	180.6-182.2 [7.11-7.18]	230.6 [9.08]
150	101.0-101.9 [3.98-4.01]	150.3 [5.92]	150	167.9-169.5 [6.61-6.67]	217.9 [8.58]	150	97.3-98.4 [3.83-3.87]	146.8 [5.78]	150	148.8-150.7 [5.86-5.93]	199.1 [7.84]	150	172.1-173.7 [6.78-6.84]	222.1 [8.74]
171	105.4-106.3 [4.15-4.18]	154.7 [6.09]	171	172.5-174.0 [6.79-6.85]	222.2 [8.75]	171	101.7-102.8 [4.00-4.05]	151.2 [5.95]	171	153.2-155.1 [6.03-6.11]	203.5 [8.01]	171	176.5-178.1 [6.95-7.01]	226.5 [8.92]
190	109.5-110.4 [4.31-4.35]	158.8 [6.25]	190	176.5-178.0 [6.95-7.01]	226.4 [8.91]	190	105.8-106.9 [4.17-4.21]	155.3 [6.12]	190	157.2-159.3 [6.19-6.27]	207.6 [8.18]	190	180.6-182.2 [7.11-7.18]	230.6 [9.08]
240	120.2-121.1 [4.73-4.77]	169.5 [6.67]	240	187.1-188.7 [7.37-7.43]	237.1 [9.33]	240	116.5-117.6 [4.59-4.63]	166.0 [6.54]	240	167.9-169.9 [6.61-6.69]	218.3 [8.60]	240	191.3-192.9 [7.53-7.60]	241.3 [9.50]
301	133.0-134.0 [5.24-5.28]	182.4 [7.18]	301	199.9-201.6 [7.87-7.94]	250.0 [9.84]	301	129.3-130.5 [5.09-5.14]	178.9 [7.04]	301	180.8-182.8 [7.12-7.20]	231.2 [9.10]	301	204.1-205.8 [8.04-8.10]	254.2 [10.01]
381	150.0-151.1 [5.91-5.95]	199.4 [7.85]	381	217.0-218.6 [8.54-8.61]	267.0 [10.51]	381	146.4-147.6 [5.76-5.81]	196.0 [7.72]	381	197.9-199.9 [7.79-7.87]	248.3 [9.78]	381	221.2-222.9 [8.71-8.78]	271.3 [10.68]

SYM	REVISION	BY	DATE	ECN
A	ENGINEERING RELEASE	LK	2-8-92 KJR	21551
B	(4D) ADDED MOUNTING TYPE F OR J	GB	9-1-92	22754
C	REVISED	RF	2-11-92	21758
D	ADDED LEFT HAND VIEW	AGJ	11-22-95	27499
E	REVISED PICTORALLY	WRD	9-04-96	28496
F	(7D) ADDED MOUNTING TYPE M	AGJ	3-30-99	M21336
G	(6D) ADDED MOUNTING TYPE D	RAF	1-26-00	M22681A
H	REVISED TABULATION BLOCKS	AGJ	5-17-04	47918
J	(4D) ADDED MOUNTING TYPE S	MLL	3-22-05	M64126A
K	(3D) ADDED MOUNTING TYPE T	VJP	6-27-05	M64945
L	-1) (2B) PORT OPTION WAS "A" -2) ADDED CASE FLOW OPTION "01" -2) UPDATED DISP VALUES AND MOUNTING TYPE IN THE TABLE	AMM	1-24-07	0002527
M	-1) (5B) REMOVED 15.62-15.88/[.615-.625] -2) (5B) ADDED 28.08-28.93/[1.123-1.157] -3) (5C) 12.15-13.85/[.486-.554] WAS 13.08-13.34/[.515-.525]	SMT	11-16-09	M77433



NOTES
 1 PORTS - OPTION AA
 2 CASE FLOW - OPTION 01

REVIEWED FOR CLASSIFICATION PER ESP-042

DRAWING BASED ON ANSI Y14.5M-1982

UNLESS OTHERWISE SPECIFIED ALL DIMENSIONS ARE IN
 INCHES MILLIMETERS

TOLERANCES
 .X ± .0005
 .XX ± .0005
 .XXX ± .0005
 UNDEFINED ± .0005

DRAIN BY/DATE LJK 5-9-92 MATERIAL/HEAT TREAT
 CHECKED BY/DATE KJR 6-28-92
 ENGR BY/DATE RA 7-31-92 TITLE
 METALLURGY BY/DATE
 UNDEFINED DRAFT ANGLES ARE THIRD ANGLE PROJECTION
 DRAWING FORMAT CADD MANUAL DO NOT SCALE

THE REPRODUCTION, DISTRIBUTION, AND UTILIZATION OF THIS DOCUMENT, AS WELL AS THE COMMUNICATION OF ITS CONTENTS TO OTHERS WITHOUT EXPLICIT AUTHORIZATION IS PROHIBITED. OFFENDERS WILL BE HELD LIABLE FOR THE PAYMENT OF DAMAGES. ALL RIGHTS RESERVED IN THE EVENT OF THE GRANT OF A PATENT, UTILITY MODEL, OR DESIGN. (PER ISO 16016)

4000 SERIES MOTOR PORT INSTALLATION

NUMBER A-556-001

SCALE 1/1 SHEET 1 OF 1

Danfoss