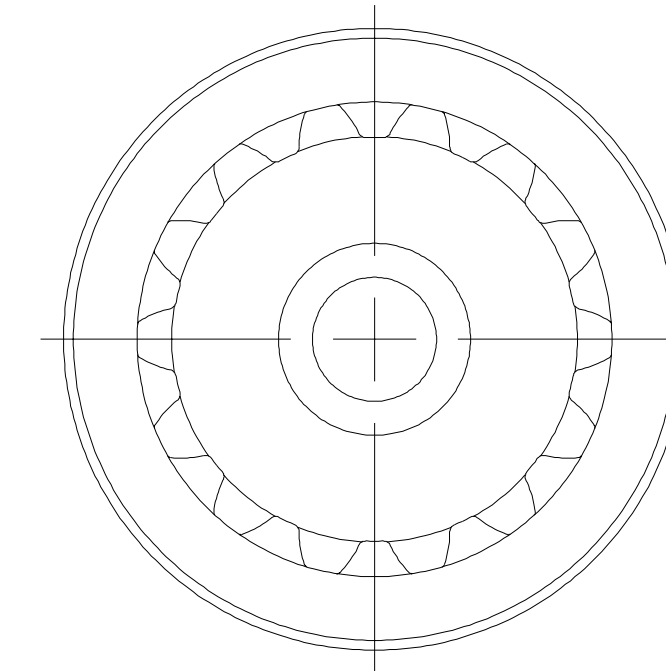
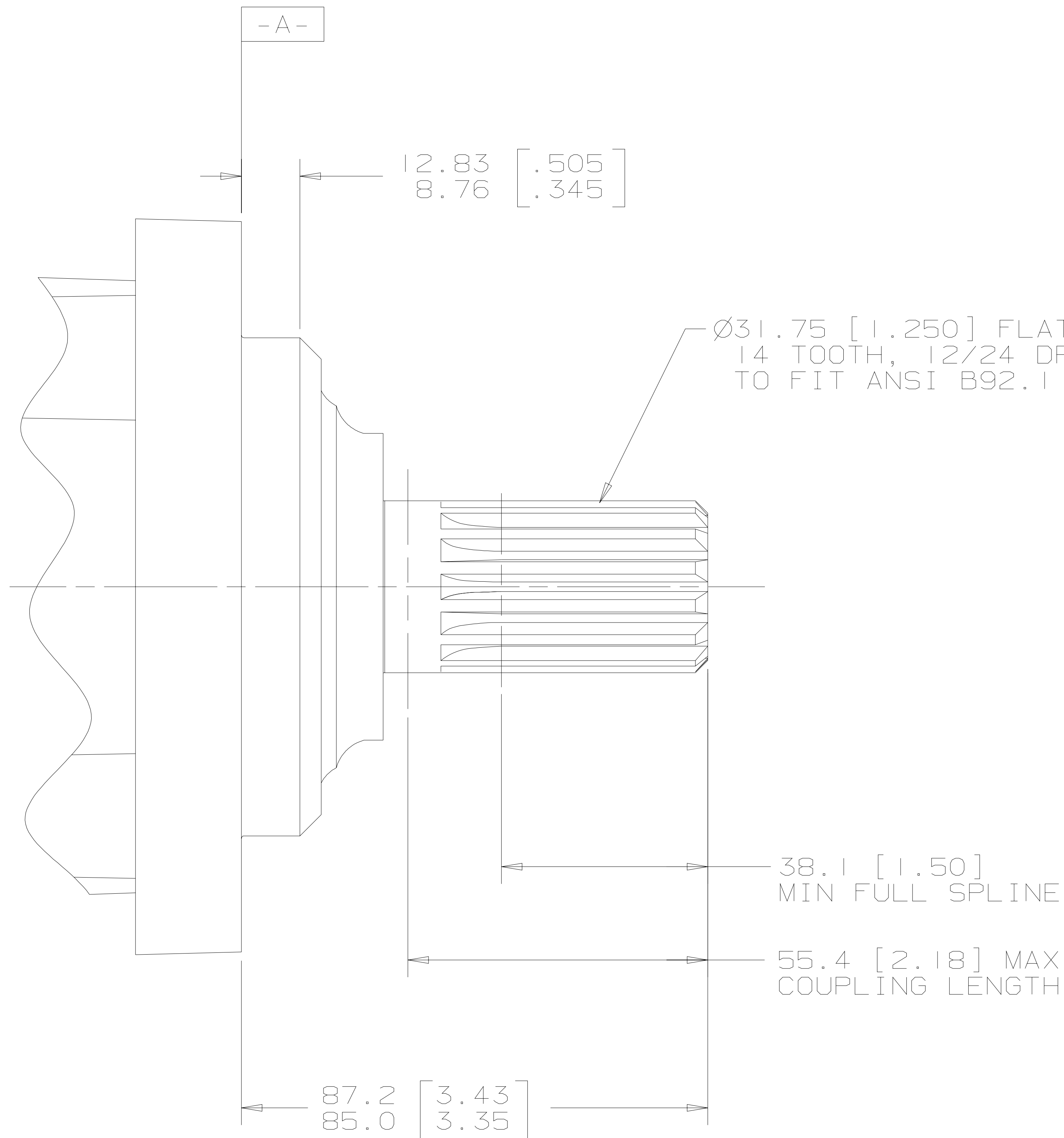


SYM	REVISION	BY	DATE	ECN
A	ENGINEERING RELEASE	SDR	2-8-92	21551
B	-1) MOUNTING TYPE WAS "E" -2) OUTPUT SHAFT WAS "10"	SSD	1-24-07	0002527



NOTE

- 1 MOUNTING TYPE: OPTION AE
- 2 OUTPUT SHAFT: OPTION 08

UNLESS OTHERWISE SPECIFIED ALL DIMENSIONS ARE IN		DRAWING BASED ON ANSI Y14.5M-1982	
INCHES <input type="checkbox"/>	MILLIMETERS [INCHES] <input checked="" type="checkbox"/>	THE REPRODUCTION, DISTRIBUTION, AND UTILIZATION OF THIS DOCUMENT, AS WELL AS THE COMMUNICATION OF ITS CONTENTS TO OTHERS WITHOUT EXPLICIT AUTHORIZATION IS PROHIBITED. OFFENDERS WILL BE HELD LIABLE FOR THE PAYMENT OF DAMAGES. ALL RIGHTS RESERVED IN THE EVENT OF THE GRANT OF A PATENT, UTILITY MODEL, OR DESIGN. (PER ISO 16016)	
TOLERANCES		DRAWN BY/DATE SDR 4/9/92 MATERIAL/HEAT TREAT	
.X ±----	.XX ±REF		
.XXX ±ONLY	< ----	CHECKED BY/DATE	TITLE 4000 SERIES MOTOR SHAFT INSTALLATION
UNSPECIFIED RADII ARE	UNSPECIFIED DRAFT ANGLES ARE	ENGRG BY/DATE	
DRAWING FORMAT CADD <input checked="" type="checkbox"/> MANUAL <input type="checkbox"/>	THIRD ANGLE PROJECTION	METALLURGY BY/DATE	NUMBER A-608-002
	DO NOT SCALE	ARITHMETICAL AVERAGE <input checked="" type="checkbox"/>	SCALE 1/1 SHEET 1 OF 1

