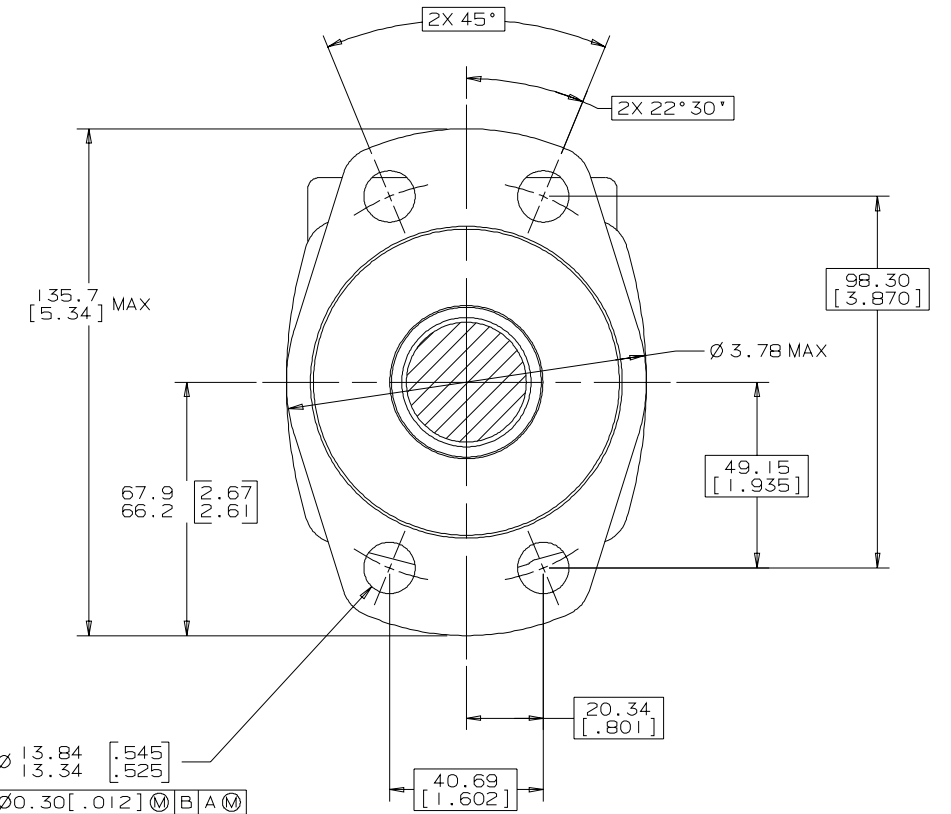
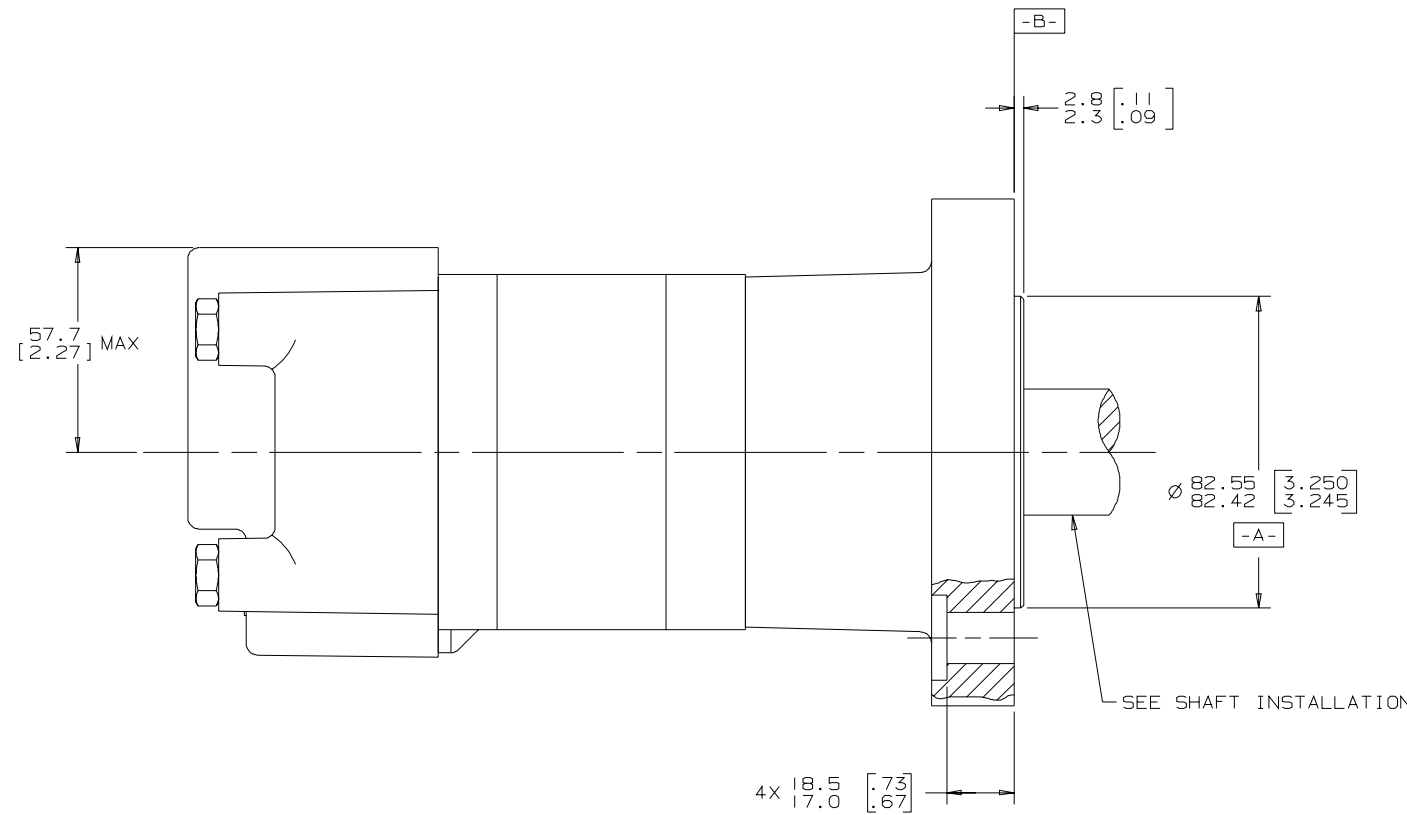
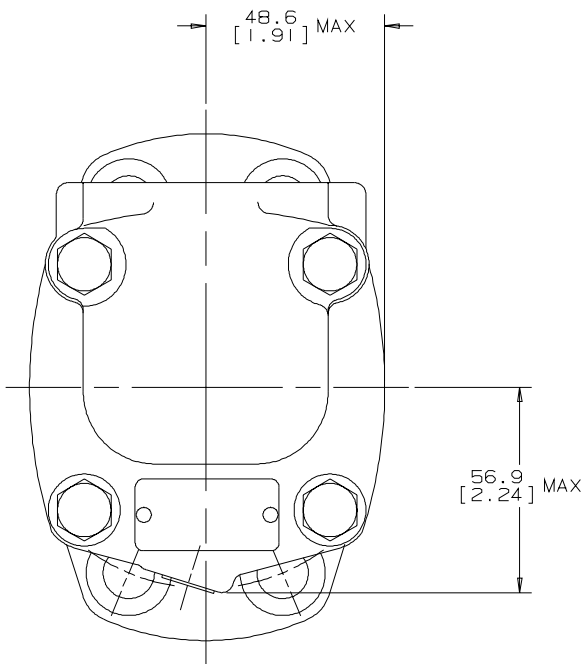
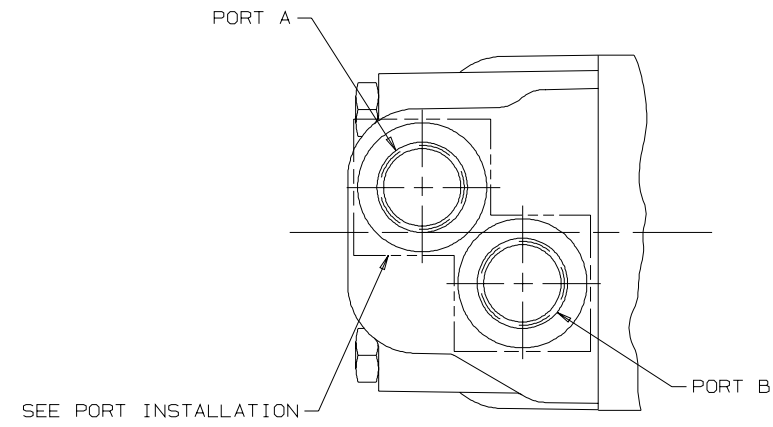


SYM	REVISION	BY	DATE	ECN
A	ENGINEERING RELEASE	RAF	9/28/93	M8765
B	(4A)NOTE 2 WAS MOUNTING TYPE: J	AGJ	5/13/02	41044



NOTE

- ROTATION:
 STANDARD: WHEN FACING SHAFT END OF MOTOR, SHAFT TO ROTATE: CLOCKWISE WHEN PORT "A" IS PRESSURIZED COUNTERCLOCKWISE WHEN PORT "B" IS PRESSURIZED
 REVERSE: WHEN FACING SHAFT END OF MOTOR, SHAFT TO ROTATE: CLOCKWISE WHEN PORT "B" IS PRESSURIZED COUNTERCLOCKWISE WHEN PORT "A" IS PRESSURIZED
- MOUNTING TYPE: AJ
 STANDARD (MAGNETO), 4 BOLT: Ø 82.6 [3.25] PILOT Ø 13.59 [.535] HOLES ON Ø 106.4 [4.19] BOLT CIRCLE 2.79 [.110] PILOT LENGTH

G K S

UNLESS OTHERWISE SPECIFIED ALL DIMENSIONS ARE IN		DRAWING BASED ON ANSI Y14.5M-1982	
INCHES <input type="checkbox"/>	MILLIMETERS <input checked="" type="checkbox"/>	THE REPRODUCTION, DISTRIBUTION, AND UTILIZATION OF THIS DOCUMENT, AS WELL AS THE COMBINATION OF ITS CONTENTS TO OTHERS WITHOUT EXPLICIT AUTHORIZATION IS PROHIBITED. OFFENDERS WILL BE HELD LIABLE FOR THE PAYMENT OF DAMAGES. ALL RIGHTS RESERVED IN THE EVENT OF THE GRANT OF A PATENT, UTILITY MODEL, OR DESIGN (PER ISO 10191)	
TOLERANCES			
.x .xx .xxx .ONLY			
UNSPECIFIED RADI ARE	UNSPECIFIED DRAFT ANGLES ARE	DRAWN BY/DATE RAF 9/29/93 CHECKED BY/DATE SDR 9-30-93 ENGR BY/DATE M.B 9-30-93 METALLURGY BY/DATE	MATERIAL/HEAT TREAT TITLE 2000 SERIES MOTOR INSTALL
DRAWING FORMAT CAD <input checked="" type="checkbox"/> MANUAL <input type="checkbox"/>	THIRD ANGLE PROJECTION <input checked="" type="checkbox"/> DO NOT SCALE	WIDTH INCHES <input type="checkbox"/> MILLIMETERS <input checked="" type="checkbox"/> NUMBER A-671-005	SCALE 1/1 SHEET 1 OF 1