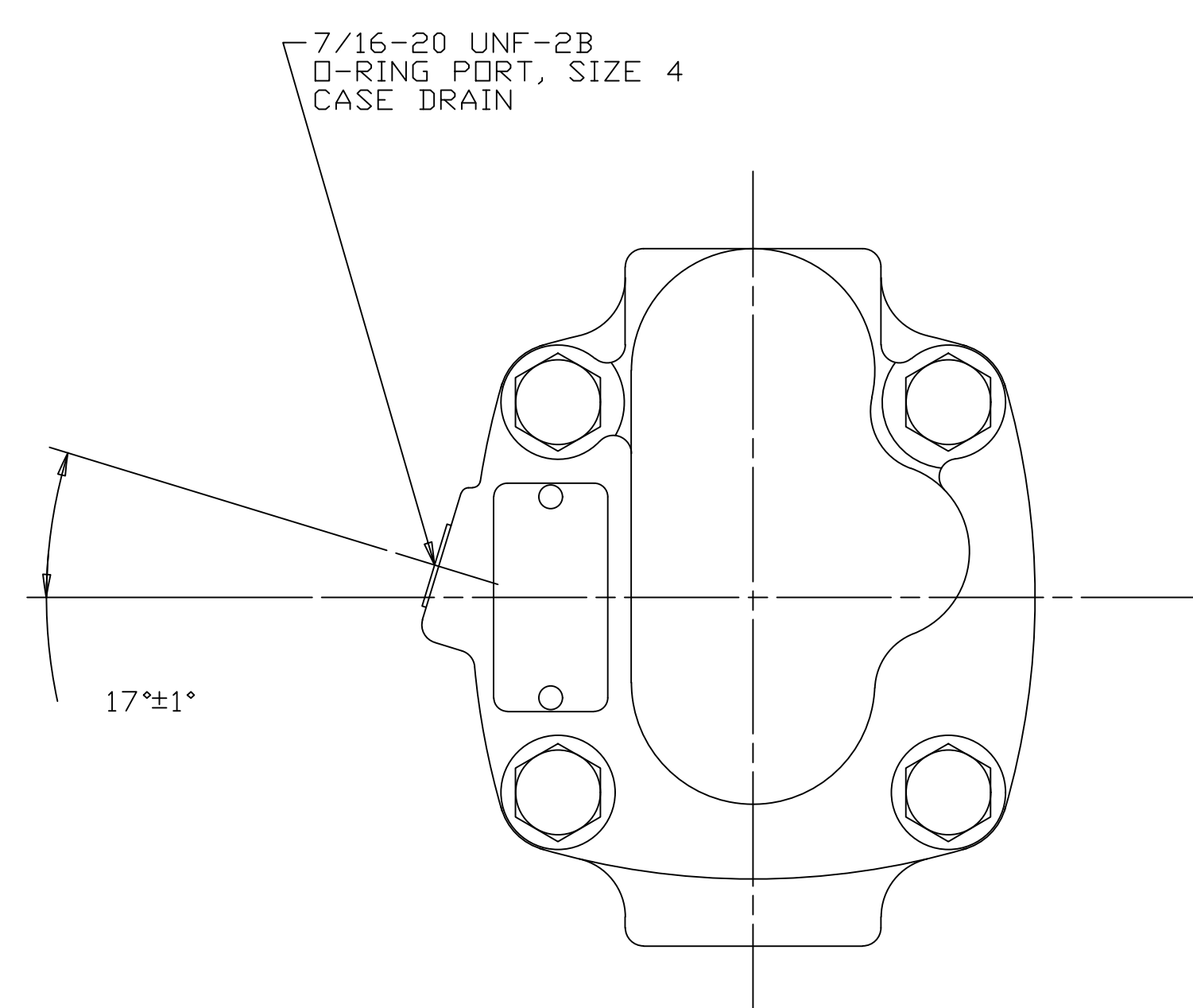


MOUNTING TYPE AB,AM,AP,AR,AV,BB,BF,BG,BH			
DISP	C	D	E MAX
049	98.3-99.8 [3.87-3.93]	122.2-123.7 [4.81-4.87]	145.3 [5.72]
062	102.9-104.6 [4.05-4.12]	126.7-128.5 [4.99-5.06]	150.1 [5.91]
080	109.5-111.0 [4.31-4.37]	133.4-134.9 [5.25-5.31]	156.5 [6.16]
096	109.5-111.0 [4.31-4.37]	133.4-134.9 [5.25-5.31]	156.5 [6.16]
119	116.1-117.6 [4.57-4.63]	140.0-141.7 [5.51-5.58]	163.1 [6.42]
149	125.2-126.7 [4.93-4.99]	149.1-150.6 [5.87-5.93]	172.2 [6.78]
187	136.7-137.9 [5.38-5.43]	160.5-162.0 [6.32-6.38]	183.4 [7.22]
240	152.4-154.2 [6.00-6.07]	176.3-178.0 [6.94-7.01]	199.6 [7.86]
298	169.9-171.5 [6.69-6.75]	193.8-195.3 [7.63-7.69]	216.9 [8.54]

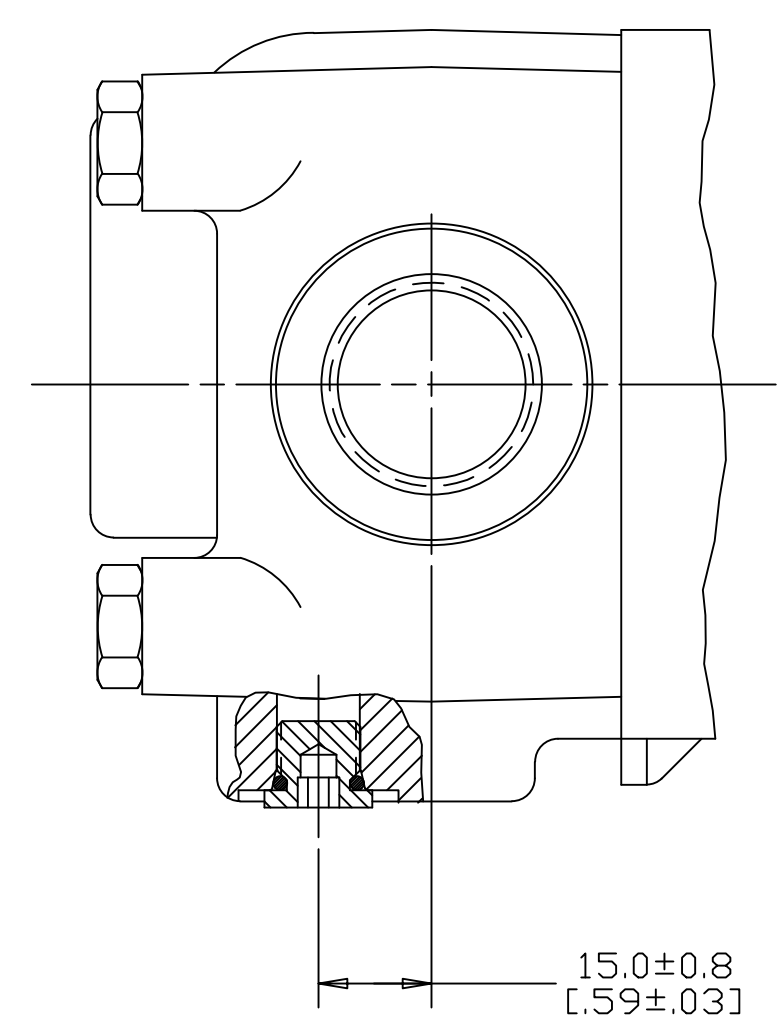
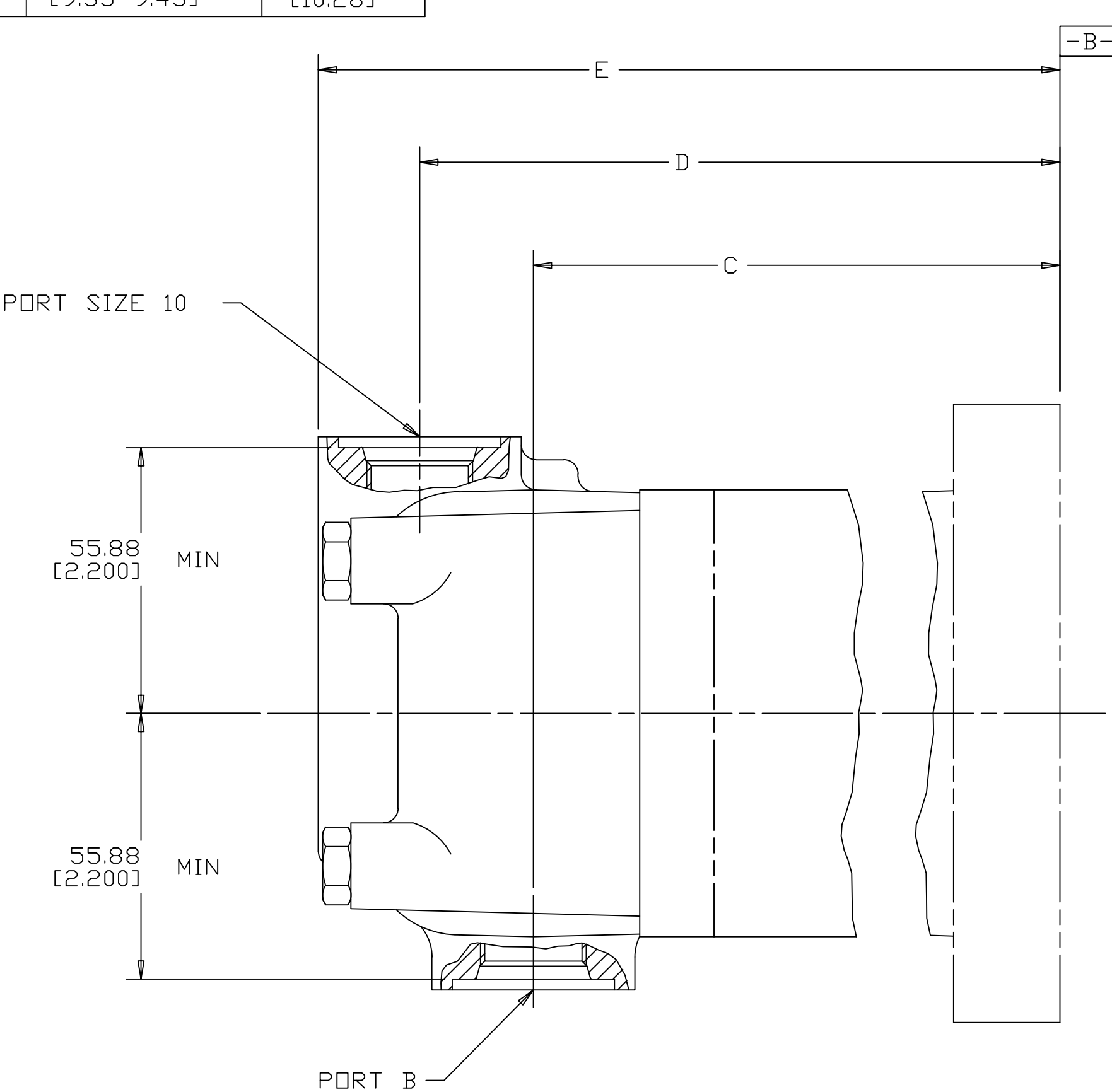
MOUNTING TYPE AC,AF,AH,AN,AS,AU,AW,AY,BA,BD,BE			
DISP	C	D	E MAX
049	138.4-140.0 [5.45-5.51]	162.3-163.8 [6.39-6.45]	185.4 [7.30]
062	143.0-144.8 [5.63-5.70]	166.9-168.6 [6.57-6.64]	190.2 [7.49]
080	149.6-151.1 [5.89-5.95]	173.5-175.0 [6.83-6.89]	196.6 [7.74]
096	149.6-151.1 [5.89-5.95]	173.5-175.0 [6.83-6.89]	196.6 [7.74]
119	156.2-157.7 [6.15-6.21]	180.1-181.9 [7.09-7.16]	203.2 [8.00]
149	165.4-166.9 [6.51-6.57]	189.2-190.8 [7.45-7.51]	212.3 [8.36]
187	176.8-178.0 [6.96-7.01]	200.7-202.2 [7.90-7.96]	223.5 [8.80]
240	192.5-194.3 [7.58-7.65]	216.4-218.2 [8.52-8.59]	239.8 [9.44]
298	210.0-211.6 [8.27-8.33]	233.9-235.4 [9.21-9.27]	257.0 [10.12]

MOUNTING TYPE AJ,BC			
DISP	C	D	E MAX
049	142.0-144.0 [5.59-5.67]	165.9-167.9 [6.53-6.61]	189.5 [7.46]
062	146.6-148.8 [5.77-5.86]	170.4-172.7 [6.71-6.80]	194.3 [7.65]
080	153.2-155.2 [6.03-6.11]	177.0-179.1 [6.97-7.05]	200.7 [7.90]
096	153.2-155.2 [6.03-6.11]	177.0-179.1 [6.97-7.05]	200.7 [7.90]
119	159.8-161.8 [6.29-6.37]	183.6-185.9 [7.23-7.32]	207.3 [8.16]
149	168.9-170.9 [6.65-6.73]	192.8-194.8 [7.59-7.67]	216.4 [8.52]
187	180.3-182.1 [7.10-7.17]	204.2-206.2 [8.04-8.12]	227.6 [8.96]
240	196.1-198.4 [7.72-7.81]	220.0-222.2 [8.66-8.75]	243.8 [9.60]
298	213.6-215.6 [8.41-8.49]	237.5-239.5 [9.35-9.43]	261.1 [10.28]

SYM	REVISION	BY	DATE	ECN
A	ENGINEERING RELEASE	AGJ	5-26-93	22833
B	<6D>ADD MOUNTING "C" TO TABULATION	AGJ	6-8-94	M11581B
C	<5D>ADD MOUNTING "J" TO TABULATION	AGJ	7-27-97	M18051
D	-1>REVISED MOUNTING TAB CODES -2>NOTE 1 WAS PORT OPTION: C OR D -2>ADDED NOTE 2	AGJ	5-13-02	41044
E	REVISED TABULATION BLOCKS	AGJ	5-17-04	47918
F	REVISED DISPLACEMENT FOR TABULATION BLOCKS	RG	6-26-06	56090
G	<6D> ADDED MOUNTING "AH" TO TABULATION	SVG	09-25-08	M74208



2X 7/8-14 UNF-2B O-RING PORT SIZE 10
PORT A



- NOTE
- PORT OPTION: AC
 - CASE FLOW OPTION: 01

MOUNTING TYPE AH			
DISP	C	D	E MAX
049	138.2-140.2 [5.44-5.52]	162.1-164.1 [6.38-6.46]	185.4 [7.30]
062	142.7-145.0 [5.62-5.71]	166.6-168.9 [6.56-6.65]	190.2 [7.49]
080	149.4-151.4 [5.88-5.96]	172.7-175.3 [6.80-6.90]	196.6 [7.74]
096	149.4-151.4 [5.88-5.96]	172.7-175.3 [6.82-6.90]	196.6 [7.74]
119	156.0-158.0 [6.14-6.22]	179.8-182.1 [7.08-7.17]	203.2 [8.00]
149	165.1-167.1 [6.50-6.58]	189.0-191.0 [7.44-7.52]	212.3 [8.36]
187	176.3-178.6 [6.94-7.03]	200.4-202.4 [7.89-7.97]	223.8 [8.81]
240	192.3-194.6 [7.57-7.66]	216.2-218.4 [8.51-8.60]	239.8 [9.44]
298	209.8-211.8 [8.26-8.34]	233.7-235.7 [9.20-9.28]	257.0 [10.12]

UNLESS OTHERWISE SPECIFIED ALL DIMENSIONS ARE IN INCHES <input type="checkbox"/> MILLIMETERS <input checked="" type="checkbox"/>		DRAWING BASED ON ANSI Y14.5M-1982	
TOLERANCES xx ± REF xxx ± ONLY < ±		THE REPRODUCTION, DISTRIBUTION AND UTILIZATION OF THIS DOCUMENT AS WELL AS THE COMMUNICATION OF ITS CONTENTS TO OTHER WITHOUT EXPLICIT AUTHORIZATION IS PROHIBITED. OFFENDERS WILL BE HELD LIABLE FOR THE PAYMENT OF DAMAGES. ALL RIGHT RESERVED IN THE EVENT OF THE GRANT OF A PATENT, UTILITY MODEL OR DESIGN. (PER ISO 16016)	
UNSPECIFIED RADI ARE -----		DRAWN BY/DATE A. JOHNSON 2-19-93	MATERIAL/HEAT TREAT
UNSPECIFIED DRAFT ANGLES ARE -----		CHECKED BY/DATE SDR 6-24-93	TITLE 2000 SERIES MOTOR PORT INSTALLATION
DRAWING FORMAT CADD <input type="checkbox"/> MANUAL <input type="checkbox"/>		ENGRG BY/DATE S.J.Z 6-28-93	MICROINCHES <input type="checkbox"/> MILLIMETERS <input checked="" type="checkbox"/>
THIRD ANGLE PROJECTION DO NOT SCALE		METALLURGY BY/DATE -----	NUMBER A-673-003
		ARITHMETICAL AVERAGE <input checked="" type="checkbox"/>	SCALE 1/1 SHEET 1 OF 1

G K S

