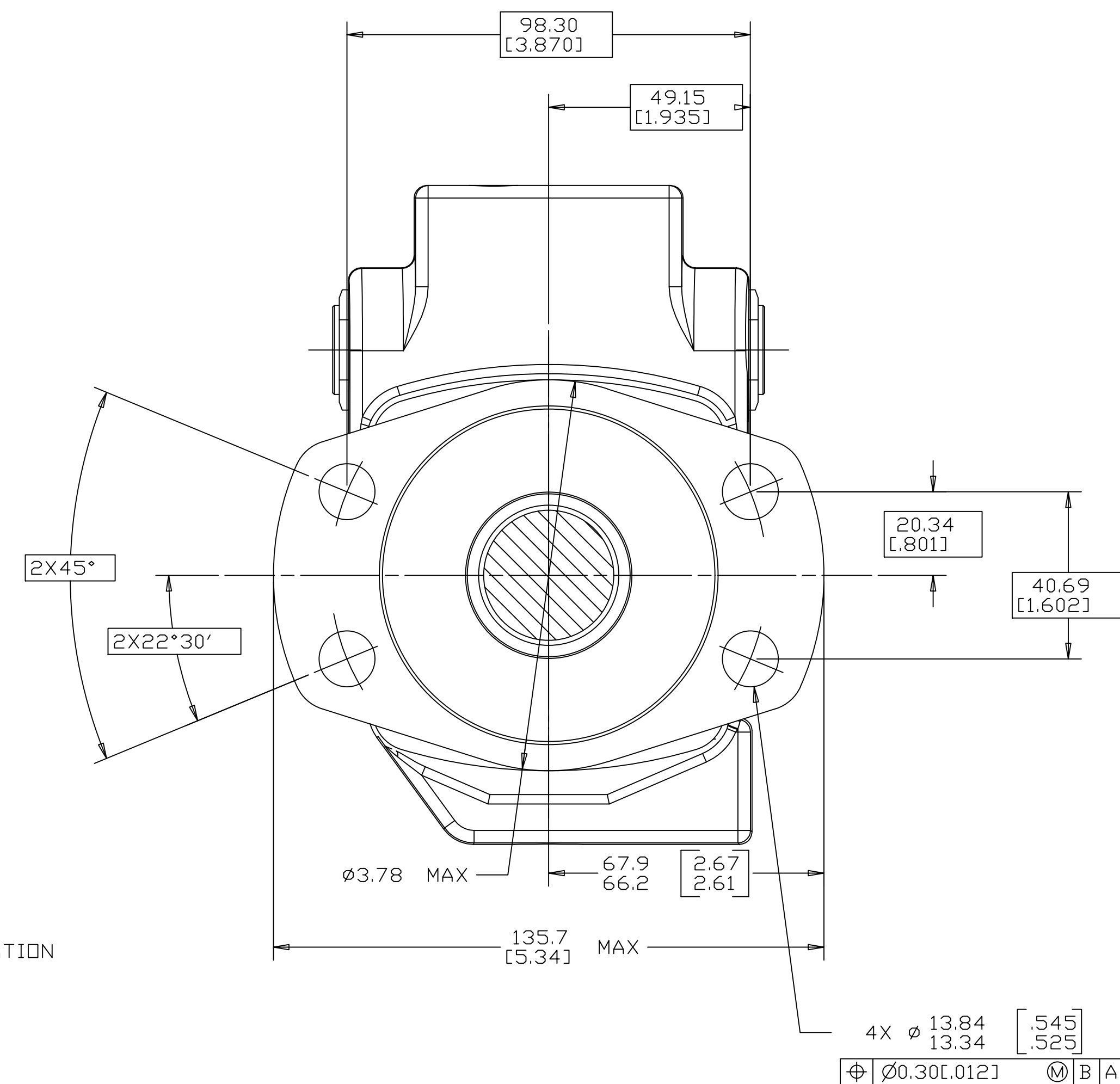
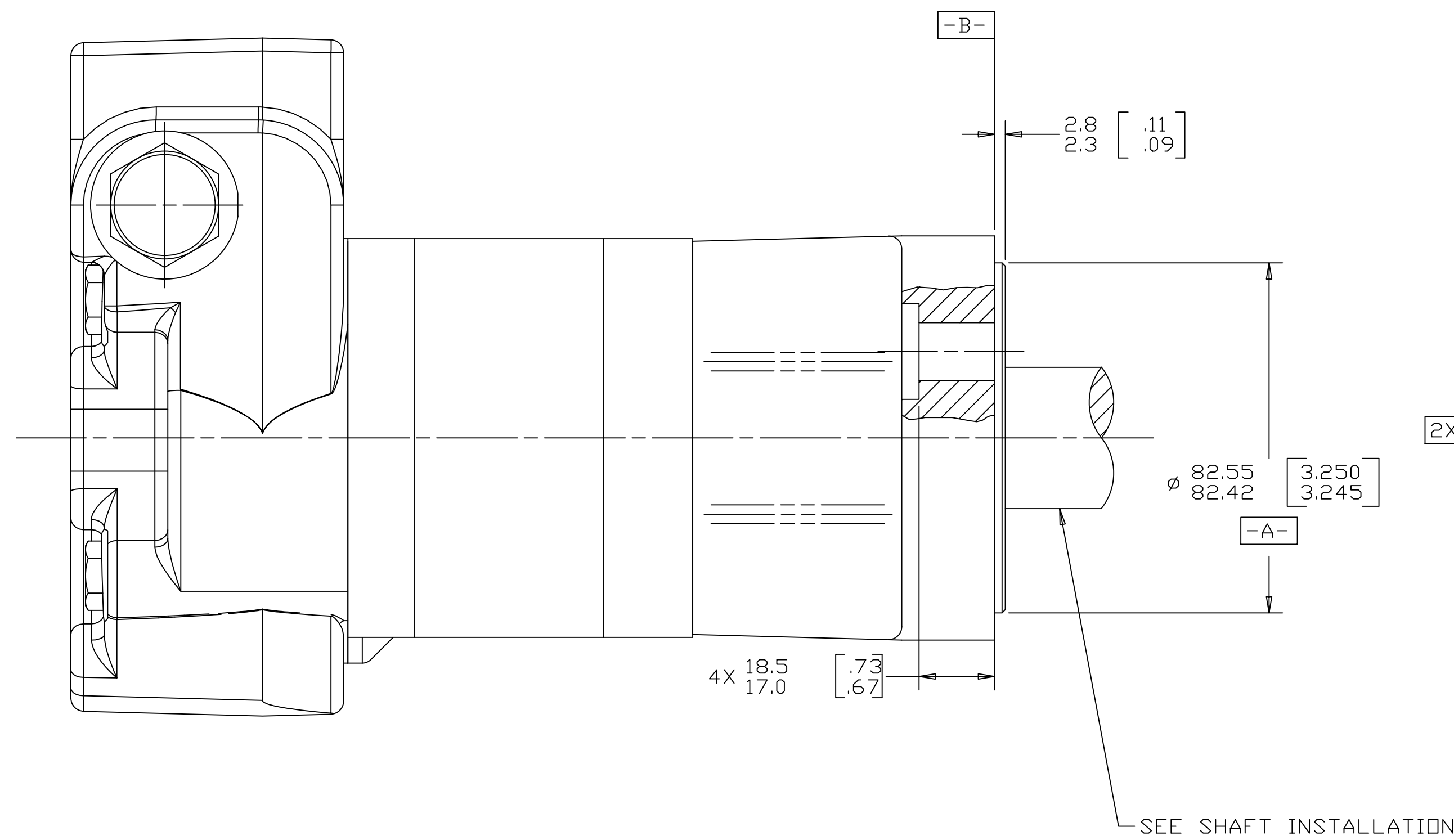
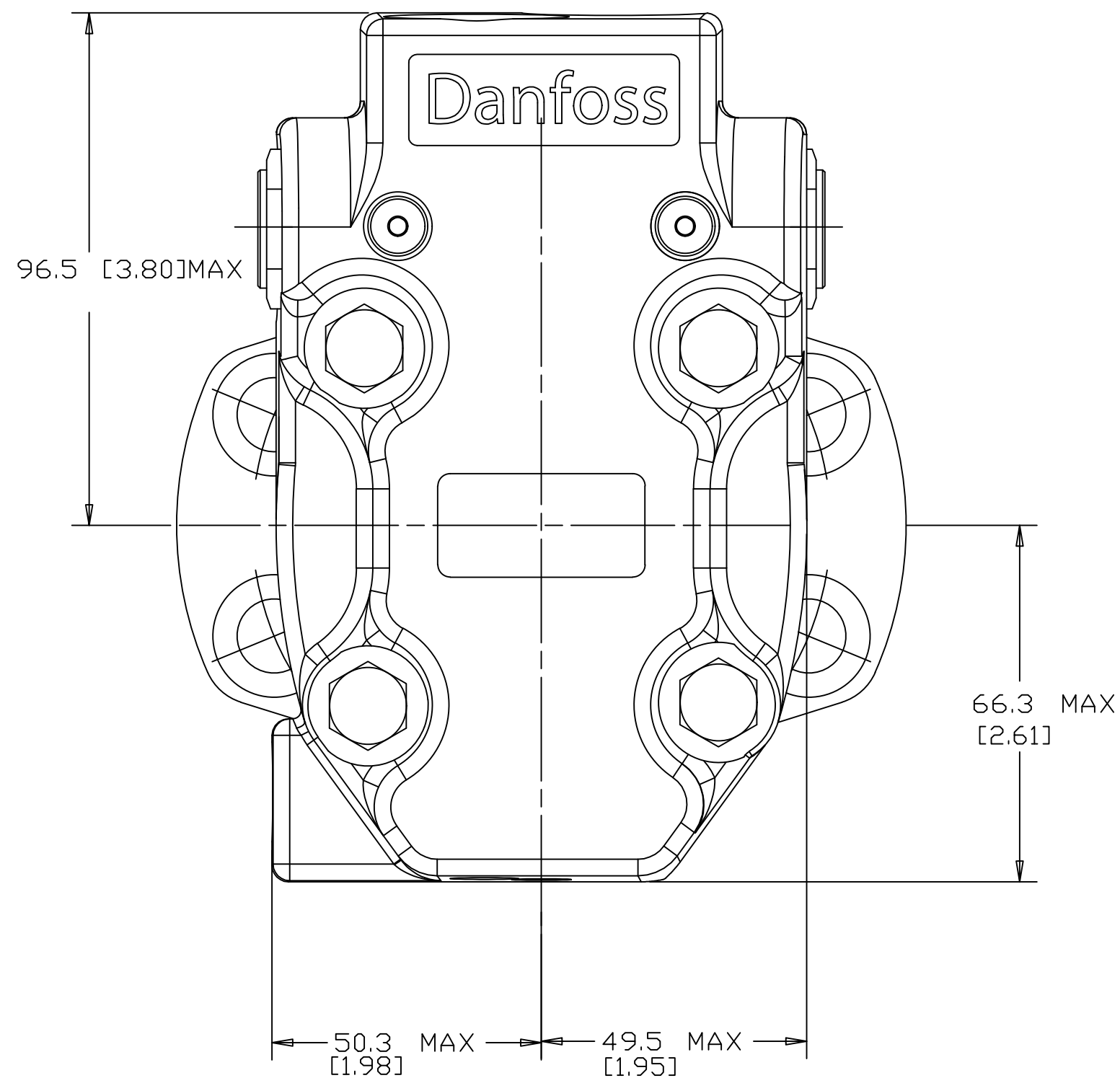
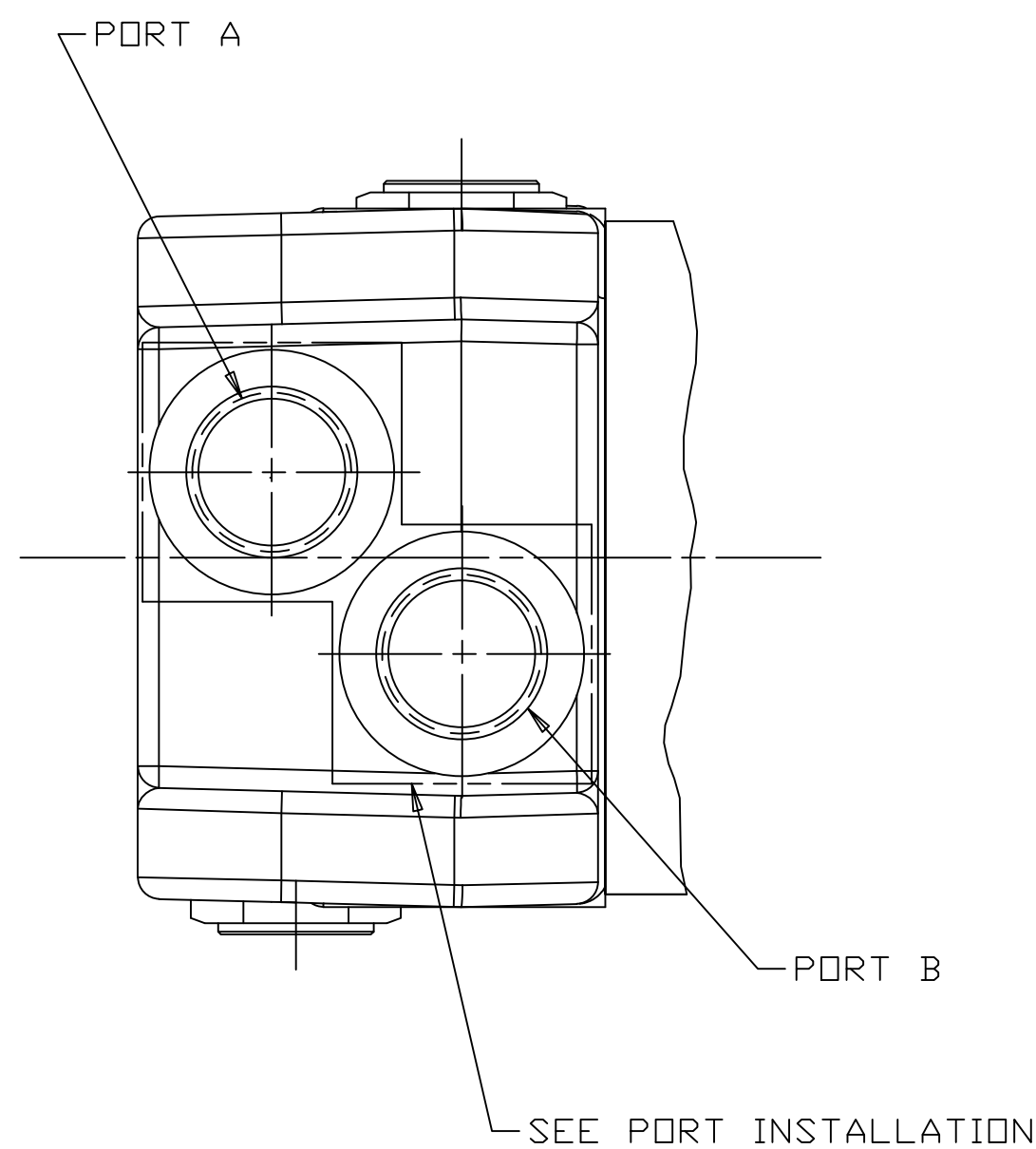


SYM	REVISION	BY	DATE	ECN
A	ENGINEERING RELEASE	PM	4-4-06	M67048



NOTE

- ROTATION:  
STANDARD: WHEN FACING SHAFT END OF MOTOR, SHAFT TO ROTATE;  
CLOCKWISE WHEN PORT "A" IS PRESSURIZED  
COUNTERCLOCKWISE WHEN PORT "B" IS PRESSURIZED  
  
REVERSE: WHEN FACING SHAFT END OF MOTOR, SHAFT TO ROTATE;  
CLOCKWISE WHEN PORT "B" IS PRESSURIZED  
COUNTERCLOCKWISE WHEN PORT "A" IS PRESSURIZED
- MOUNTING TYPE: AJ  
STANDARD (MAGNETO), 4 BOLT:  $\phi$  82.6 [3.25] PILOT  
 $\phi$  13.59 [0.535] HOLES ON  $\phi$  106.4 [4.19] BOLT CIRCLE  
2.79 [0.110] PILOT LENGTH

G K S

UNLESS OTHERWISE SPECIFIED ALL DIMENSIONS ARE IN		DRAWING BASED ON ANSI Y14.5M-1982	
INCHES <input type="checkbox"/>	MILLIMETERS <input checked="" type="checkbox"/>	THE REPRODUCTION, DISTRIBUTION AND UTILIZATION OF THIS DOCUMENT AS WELL AS THE COMMUNICATION OF ITS CONTENTS TO OTHER WITHOUT EXPLICIT AUTHORIZATION IS PROHIBITED. OFFENDERS WILL BE HELD LIABLE FOR THE PAYMENT OF DAMAGES. ALL RIGHT RESERVED IN THE EVENT OF THE GRANT OF A PATENT, UTILITY MODEL OR DESIGN. (PER ISO 16016)	
TOLERANCES		MATERIAL/HEAT TREAT	
xx ± REF	xxx ± ONLY	DRAWN BY/DATE: PM 4/11/06	CHECKED BY/DATE: AAK 4/11/06
UNSPECIFIED RADII ARE		ENGRG BY/DATE: JML 4/12/06	METALLURGY BY/DATE:
UNSPECIFIED DRAFT ANGLES ARE		TITLE: 2000 SERIES MOTOR INSTALL	
DRAWING FORMAT: CADD <input checked="" type="checkbox"/> MANUAL <input type="checkbox"/>		THIRD ANGLE PROJECTION: <input checked="" type="checkbox"/> DO NOT SCALE	
MICROINCHES <input type="checkbox"/> MILLIMETERS <input checked="" type="checkbox"/>		NUMBER: A-671-040	
ARITHMETICAL AVERAGE <input checked="" type="checkbox"/>		SCALE: 1/1 SHEET 1 OF 1	