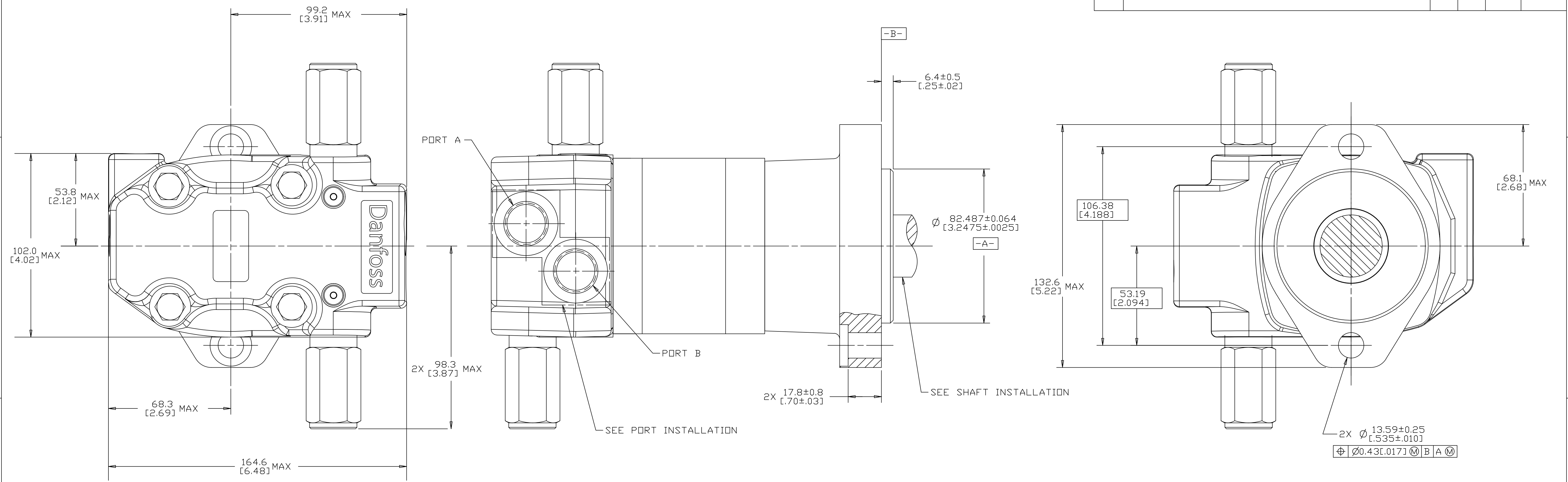


| REV | DESCRIPTION | BY | CHK | DATE | ECN |
|-----|---|-----|-----|----------|------------|
| A | ENGINEERING RELEASE | AGJ | | 1-19-04 | M60761A |
| B | <7D>96.5[3.80] MAX -WAS- 95.0[3.74] MAX | MGF | | 4-2-04 | 47302 |
| C | REVISED | RPD | SKS | 05-10-10 | M79087 |
| D | <B7> 2.69[68.3] MAX WAS 2.57[65.4] MAX | SMK | | 04-29-21 | CR-0130124 |



NOTE

1 ROTATION:
 STANDARD; WHEN FACING SHAFT END OF MOTOR, SHAFT TO ROTATE;
 CLOCKWISE WHEN PORT "A" IS PRESSURIZED
 SENSOR DIRECTION OUTPUT GOES LOW
 COUNTERCLOCKWISE WHEN PORT "B" IS PRESSURIZED
 SENSOR DIRECTION OUTPUT GOES HIGH

REVERSE; WHEN FACING SHAFT END OF MOTOR, SHAFT TO ROTATE;
 CLOCKWISE WHEN PORT "B" IS PRESSURIZED.
 SENSOR DIRECTION OUTPUT GOES LOW
 COUNTERCLOCKWISE WHEN PORT "A" IS PRESSURIZED
 SENSOR DIRECTION OUTPUT GOES HIGH

2 MOUNTING TYPE: AC
 STANDARD, 2 BOLT: ϕ 82.6 [3.25] PILOT
 ϕ 13.59 [0.535] HOLES ON ϕ 106.4 [4.19]
 BOLT CIRCLE "SAE A"

REVIEWED FOR CLASSIFICATION PER ESP-042

| | | | |
|---|---|--|-----------------------------|
| UNLESS OTHERWISE SPECIFIED ALL DIMENSIONS ARE IN | | DRAWING BASED ON ANSI Y14.5M-1982 | |
| INCHES <input type="checkbox"/> | MILLIMETERS <input checked="" type="checkbox"/> | THE REPRODUCTION, DISTRIBUTION AND UTILIZATION OF THIS DOCUMENT AS WELL AS THE COMMUNICATION OF ITS CONTENTS TO OTHER WITHOUT EXPLICIT AUTHORIZATION IS PROHIBITED. OFFENDERS WILL BE HELD LIABLE FOR THE PAYMENT OF DAMAGES. ALL RIGHT RESERVED IN THE EVENT OF THE GRANT OF A PATENT, UTILITY MODEL OR DESIGN. (PER ISO 16016) | |
| TOLERANCES | | MATERIAL/HEAT TREAT | |
| x ± ---- | xx ± ---- | DRAWN BY/DATE AGJ 1-27-04 | CHECKED BY/DATE SMM 1-28-04 |
| xxx ± ---- | < ± ---- | ENGRG BY/DATE RTH 1-28-04 | METALLURGY BY/DATE ---- |
| UNSPECIFIED RADII ARE | | TITLE | |
| UNSPECIFIED DRAFT ANGLES ARE | | 2000 SERIES MOTOR INSTALL | |
| DRAWING FORMAT CADD <input checked="" type="checkbox"/> MANUAL <input type="checkbox"/> | | THIRD ANGLE PROJECTION | |
| DO NOT SCALE | | MICROINCHES <input type="checkbox"/> MILLIMETERS <input checked="" type="checkbox"/> | |
| ARITHMETICAL AVERAGE <input checked="" type="checkbox"/> | | NUMBER | |
| | | A-665-049 | |
| | | SCALE 1/1 SHEET 1 OF 1 | |