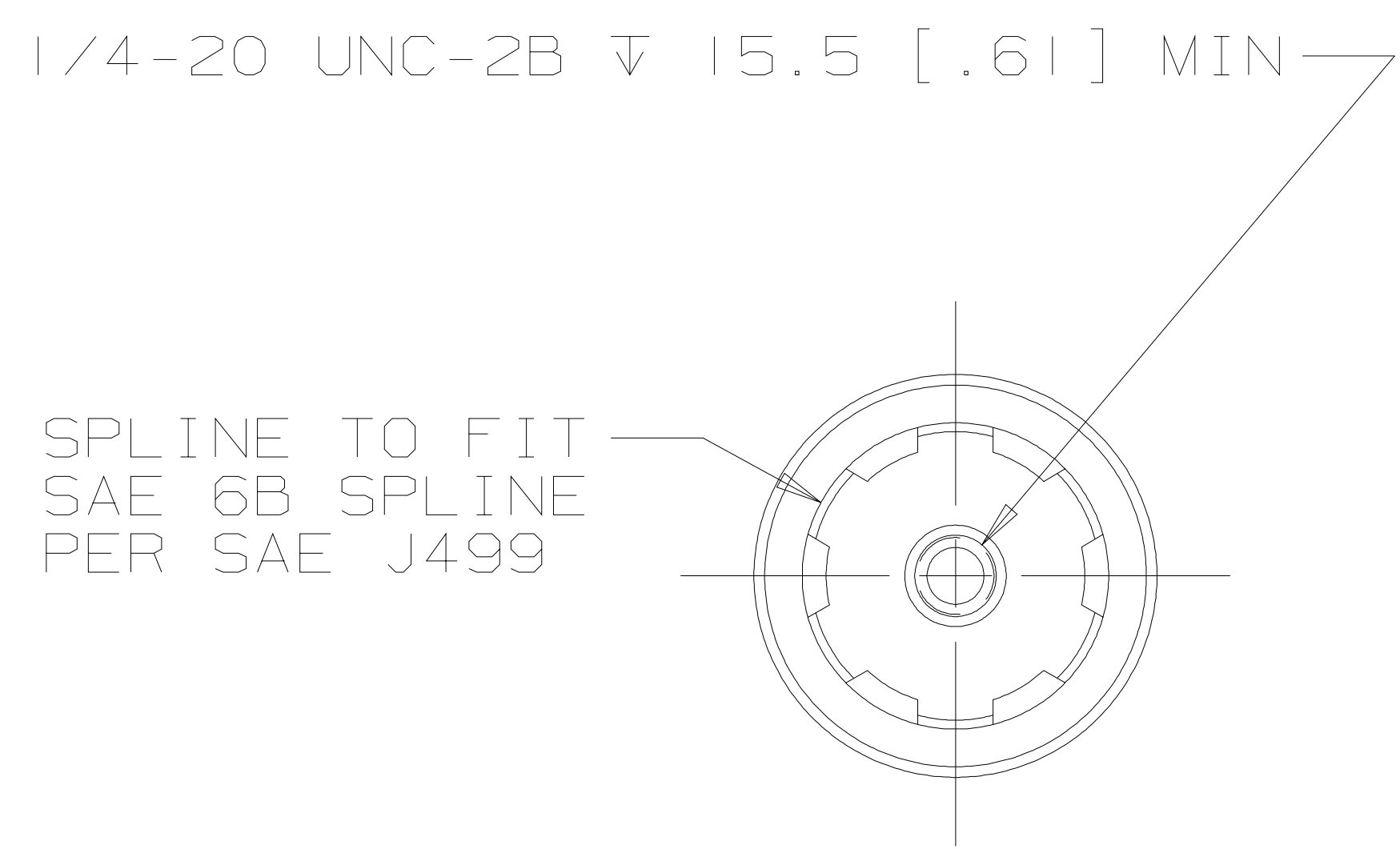
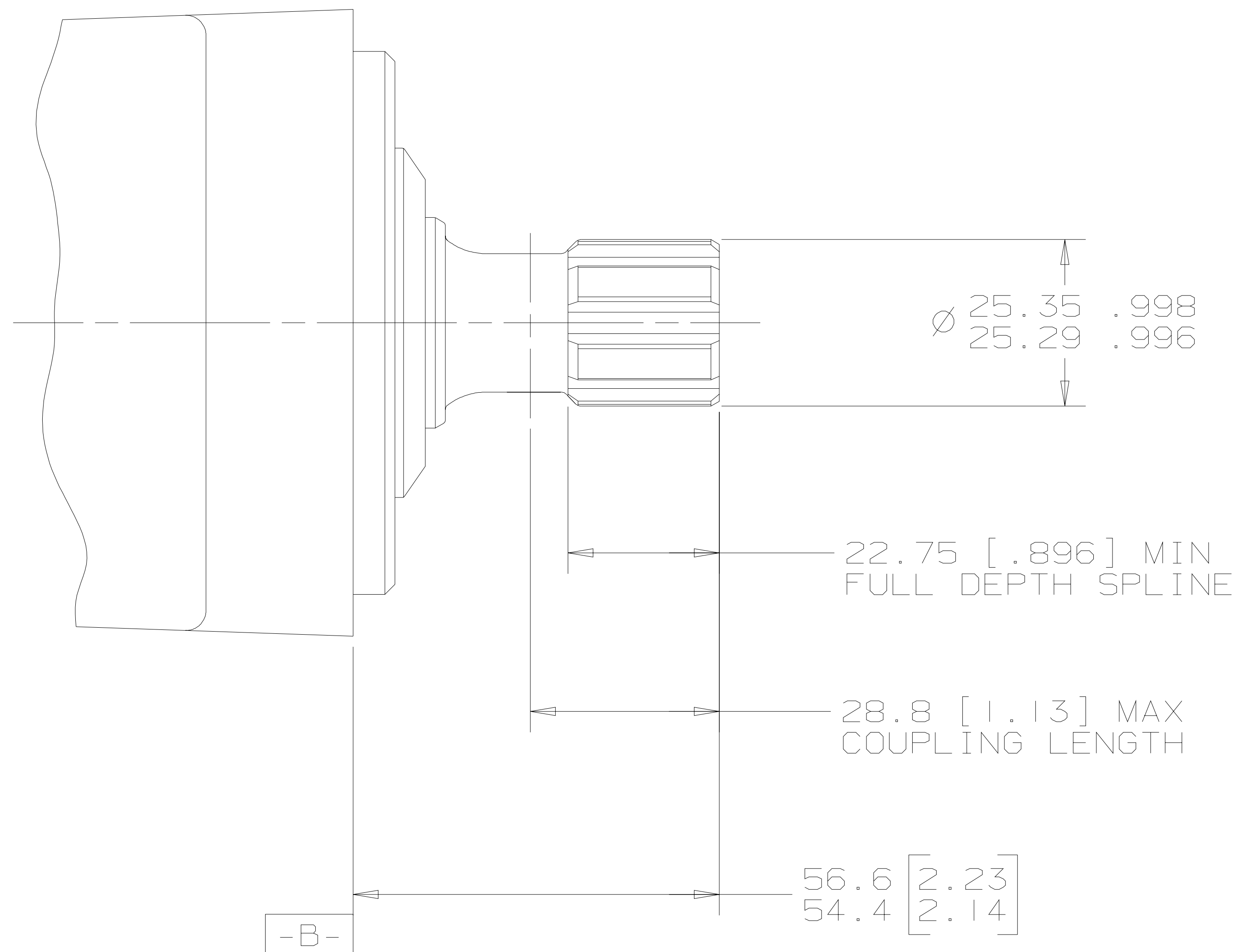


| REV | DESCRIPTION  | BY  | CHK | DATE    | ECN    |
|-----|--|-----|-----|---------|--------|
| A   | ENGINEERING RELEASE                                | AGJ | RAF | 6-29-98 | M19976 |
| B   | ADDED SHAFT OPTION 17 TO NOTE 2                    | AGJ |     | 6-29-99 | 33124  |
| C   | NOTE 1 WAS MOUNTING TYPE: OPTION C                 | AGJ |     | 5-13-02 | 41044  |
| D   | 56.6/54.4 [2.23/2.14] WAS<br>56.9/54.4 [2.24/2.14] | AGJ |     | 5-17-04 | 47918  |
| E   | NOTE 2 WAS OUTPUT SHAFT: OPTION 05 OR 17           | PM  |     | 4-4-06  | 54522  |



G K S

NOTE

- 1 MOUNTING TYPE: OPTION AC, BA & BE
- 2 OUTPUT SHAFT: OPTION 05 OR 12

|   |  |   |  |
|---|--|---|--|
| UNLESS OTHERWISE SPECIFIED ALL DIMENSIONS ARE IN<br>INCHES <input type="checkbox"/><br>MILLIMETERS [INCHES] <input checked="" type="checkbox"/> |  | DRAWING BASED ON ANSI Y14.5M-1982   |  |
| TOLERANCES<br>.X ± ----<br>.XX ± REF<br>.XXX ± ONLY<br>∠ ± ----   |  | THE REPRODUCTION, DISTRIBUTION, AND UTILIZATION OF THIS DOCUMENT, AS WELL AS THE COMMUNICATION OF ITS CONTENTS TO OTHERS WITHOUT EXPLICIT AUTHORIZATION IS PROHIBITED. OFFENDERS WILL BE HELD LIABLE FOR THE PAYMENT OF DAMAGES. ALL RIGHTS RESERVED IN THE EVENT OF THE GRANT OF A PATENT, UTILITY MODEL, OR DESIGN. (PER ISO 16016) |  |
| DRAWN BY/DATE AGJ 6-30-98   |  | MATERIAL/HEAT TREAT   |  |
| CHECKED BY/DATE RAF 7-7-98  |  | TITLE   |  |
| ENGRG BY/DATE KJR 7-8-98  |  | 2000 SERIES MOTOR<br>SHAFT INSTALLATION   |  |
| METALLURGY BY/DATE -----  |  | NUMBER  |  |
| UNSPECIFIED RADII ARE -----   |  | A-683-038   |  |
| UNSPECIFIED DRAFT ANGLES ARE -----  |  | SCALE 1/1   |  |
| DRAWING FORMAT<br>CADD <input checked="" type="checkbox"/> MANUAL <input type="checkbox"/>  |  | SHEET 1 OF 1  |  |
| THIRD ANGLE PROJECTION  |  | ARITHMETICAL AVERAGE <input checked="" type="checkbox"/>  |  |
| DO NOT SCALE  |  |   |  |

