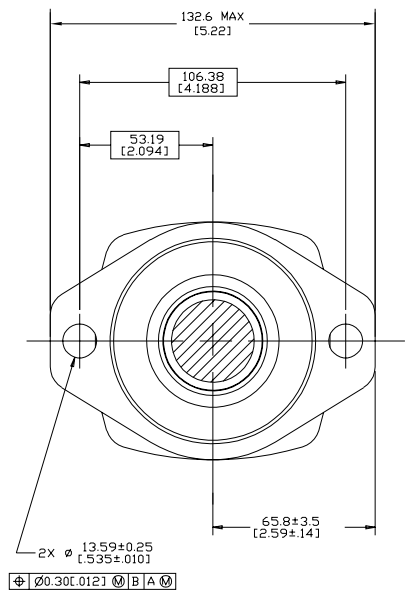
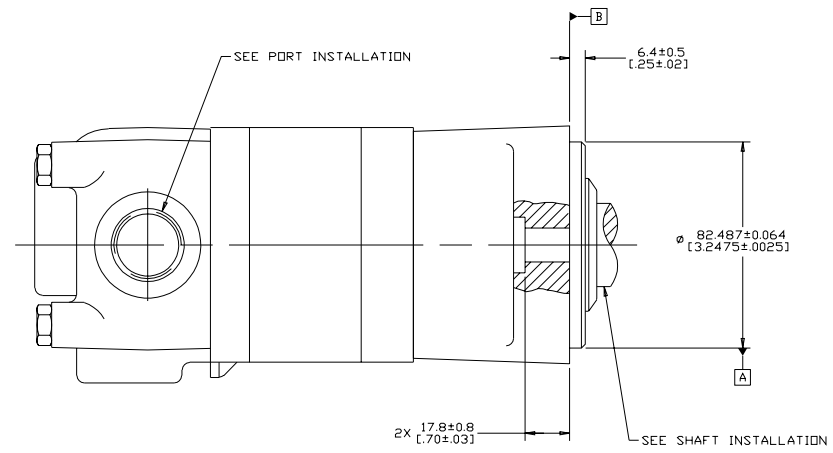
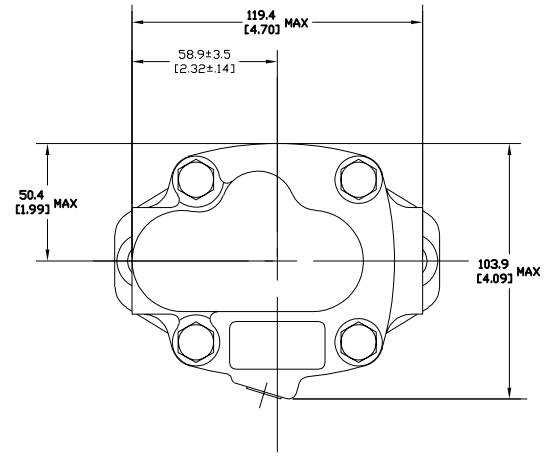
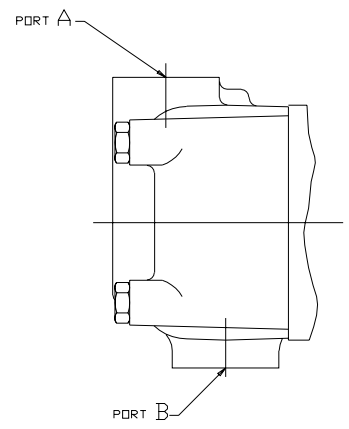


REV	DESCRIPTION	BY	CHK	DATE	ECN
A	ENGINEERING RELEASE	JJV	RAF	1-14-99	M21072
B	(4)NOTE 2 WAS MOUNTING TYPE: C	AGJ		5-13-02	41044
C	REVISED AS PER STACK-UP	SMT		08-22-13	M90230



NOTE

1 ROTATION:
 STANDARD: WHEN FACING SHAFT END OF MOTOR, SHAFT TO ROTATE;
 CLOCKWISE WHEN PORT "A" IS PRESSURIZED
 COUNTERCLOCKWISE WHEN PORT "B" IS PRESSURIZED
 REVERSE: WHEN FACING SHAFT END OF MOTOR, SHAFT TO ROTATE;
 CLOCKWISE WHEN PORT "B" IS PRESSURIZED
 COUNTERCLOCKWISE WHEN PORT "A" IS PRESSURIZED

2 MOUNTING TYPE: AC
 STANDARD, 2 BOLT: Ø 82.6 [3.25] PILOT
 Ø 13.59 [0.535] HOLES ON Ø 106.4 [4.19]
 BOLT CIRCLE "SAE A"

REVIEWED FOR CLASSIFICATION PER ESP-042

DRAWING BASED ON ANSI Y14.5M-1994

UNLESS OTHERWISE SPECIFIED ALL DIMENSIONS ARE IN	<input type="checkbox"/> INCHES <input checked="" type="checkbox"/> MILLIMETERS		THE REPRODUCTION, DISTRIBUTION AND UTILIZATION OF THIS DOCUMENT AS WELL AS THE COMMUNICATION OF ITS CONTENTS TO OTHERS WITHOUT EXPRESS AUTHORIZATION IS PROHIBITED. OFFENDERS WILL BE HELD LIABLE FOR THE PAYMENT OF DAMAGES. ALL RIGHTS RESERVED IN THE EVENT OF A PATENT, UTILITY MODEL, OR DESIGN (PER ISO 9006)	
TOLERANCES	xx + REF xxx + DNL Y z	MATERIAL/HEAT TREAT CHECKED RAB BY DATE 3-23-99		
UNSPECIFIED RADI ARE	ENG BY DATE 3-23-99 METALLURGY BY DATE	TITLE 2000 SERIES MOTOR INSTALL		
UNSPECIFIED DRAFT ANGLES ARE	<input type="checkbox"/> THIRD ANGLE PROJECTION <input checked="" type="checkbox"/> NOT SCALE	MICROFINISH NUMBER <input type="checkbox"/> ARITHMETICAL AVERAGE	NUMBER A-665-035 SCALE 1/1 SHEET 1 OF 1	
DRAWING FORMAT CASE <input type="checkbox"/> MANUAL <input type="checkbox"/>				