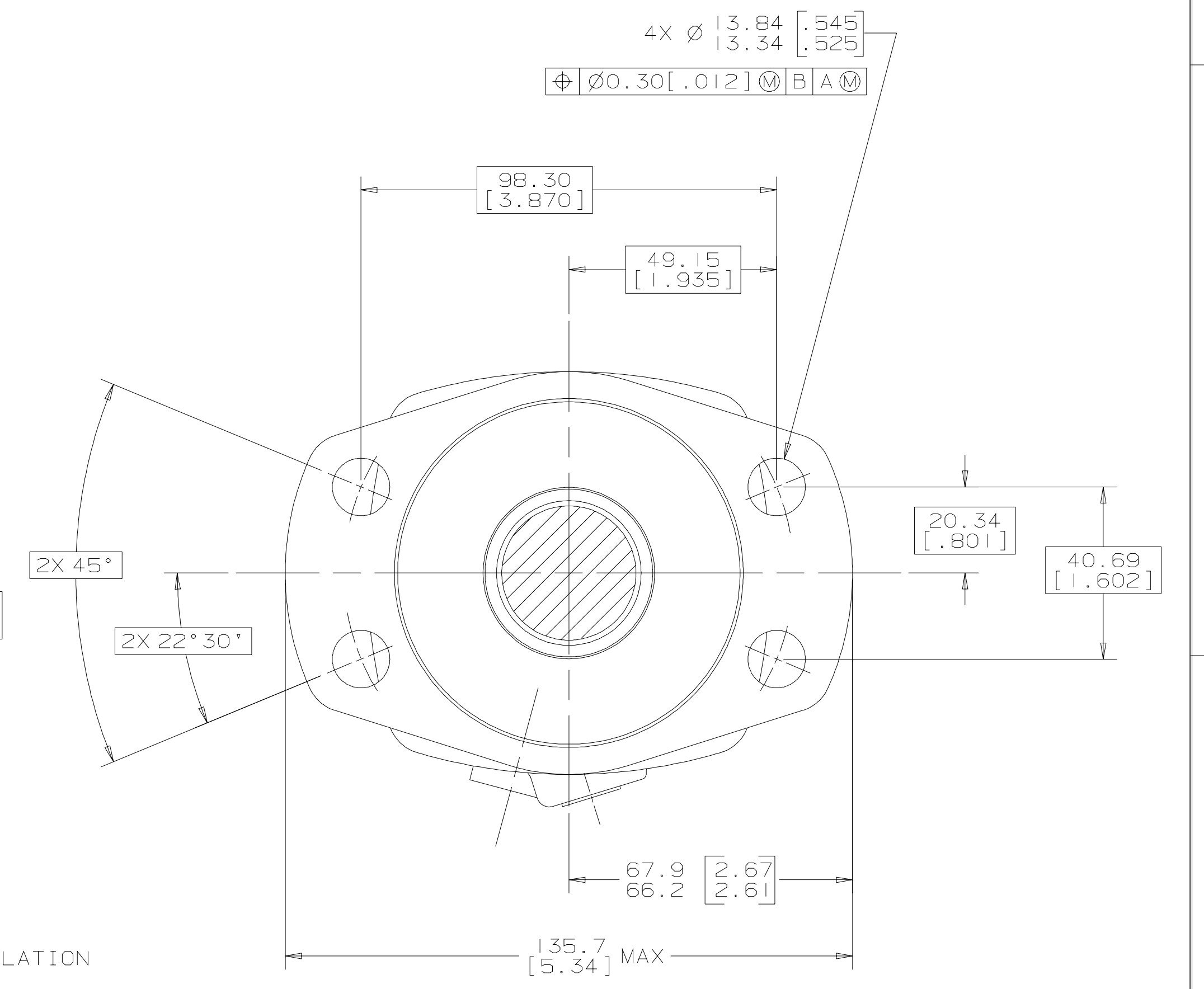
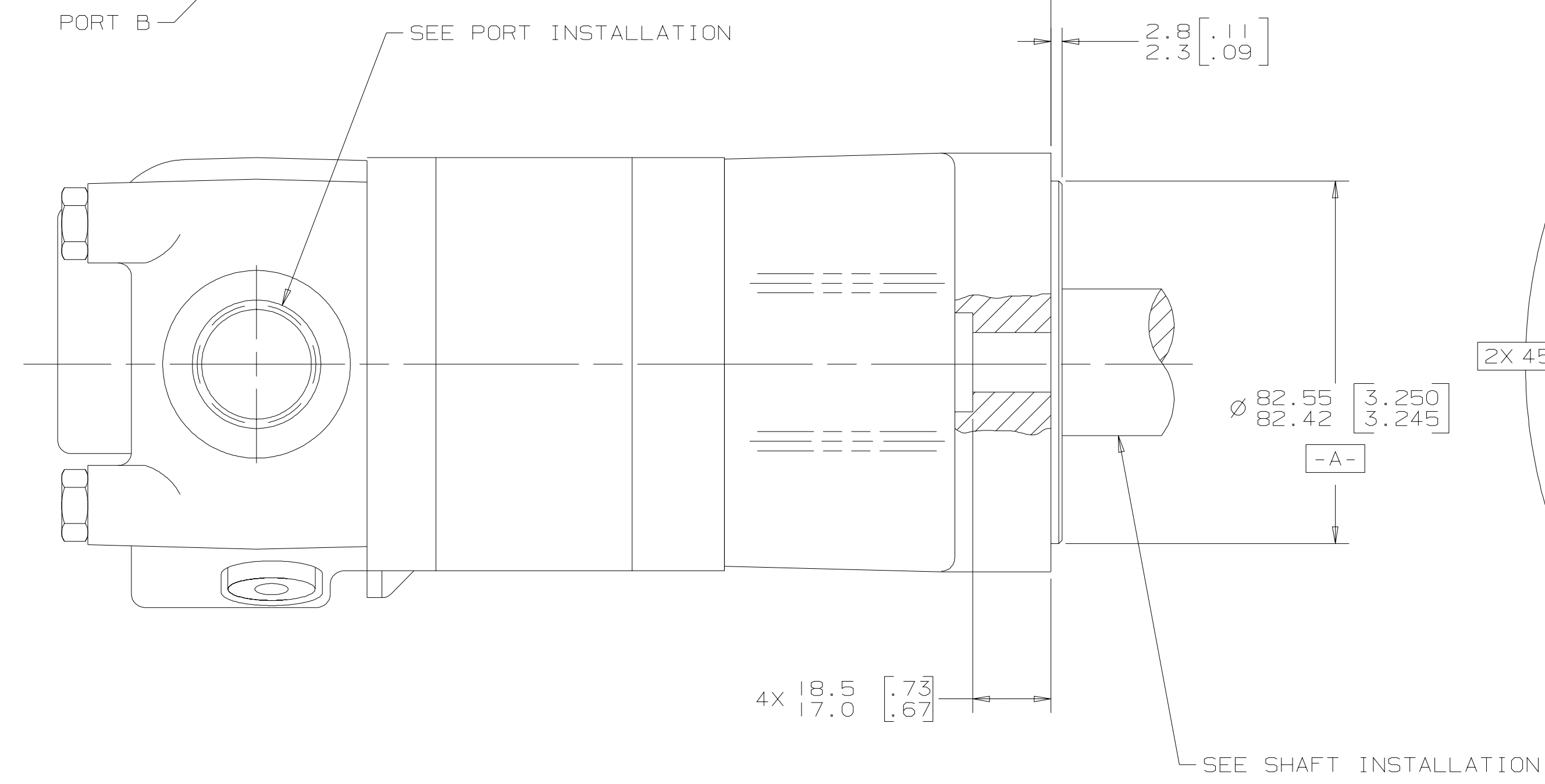
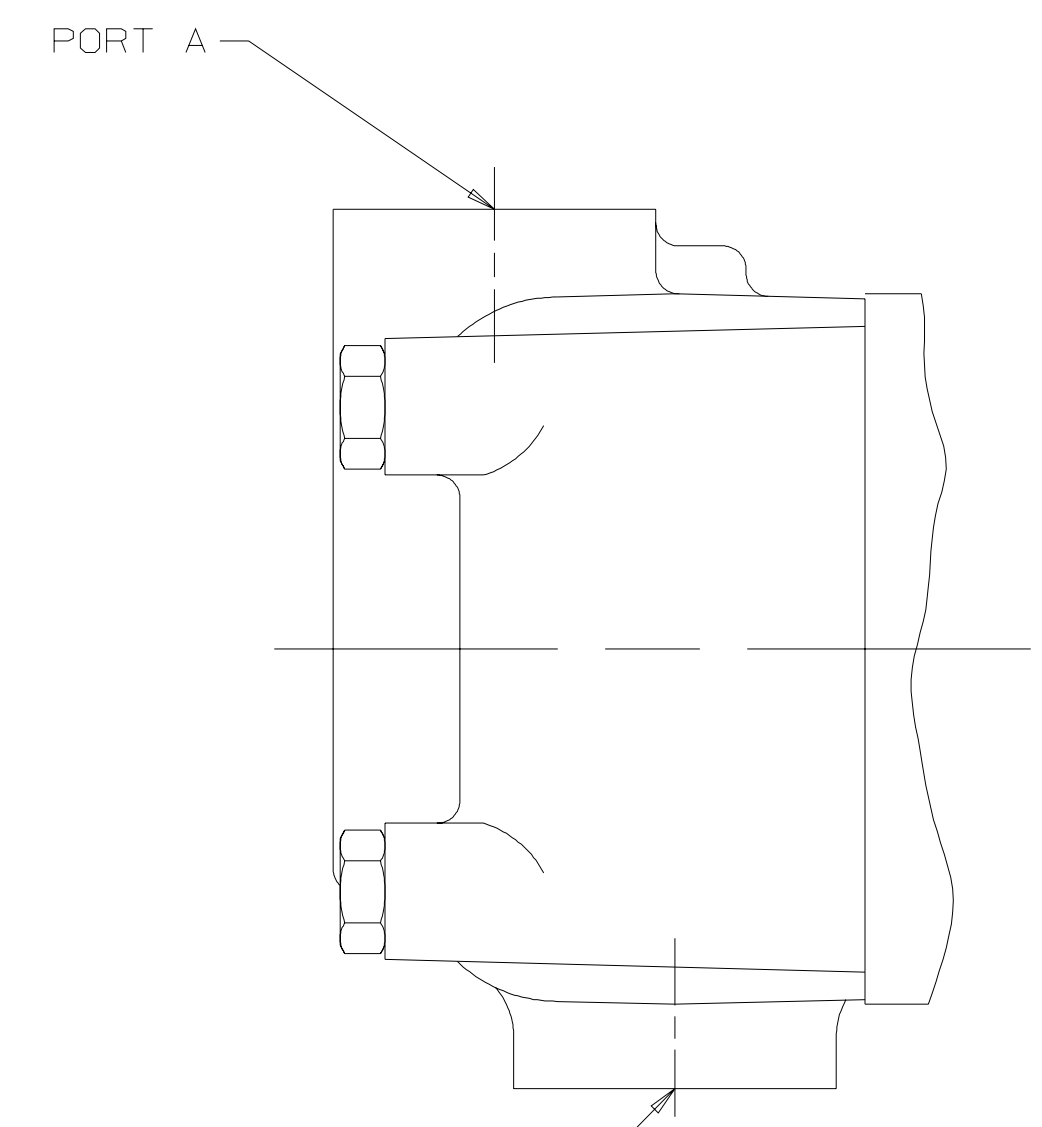
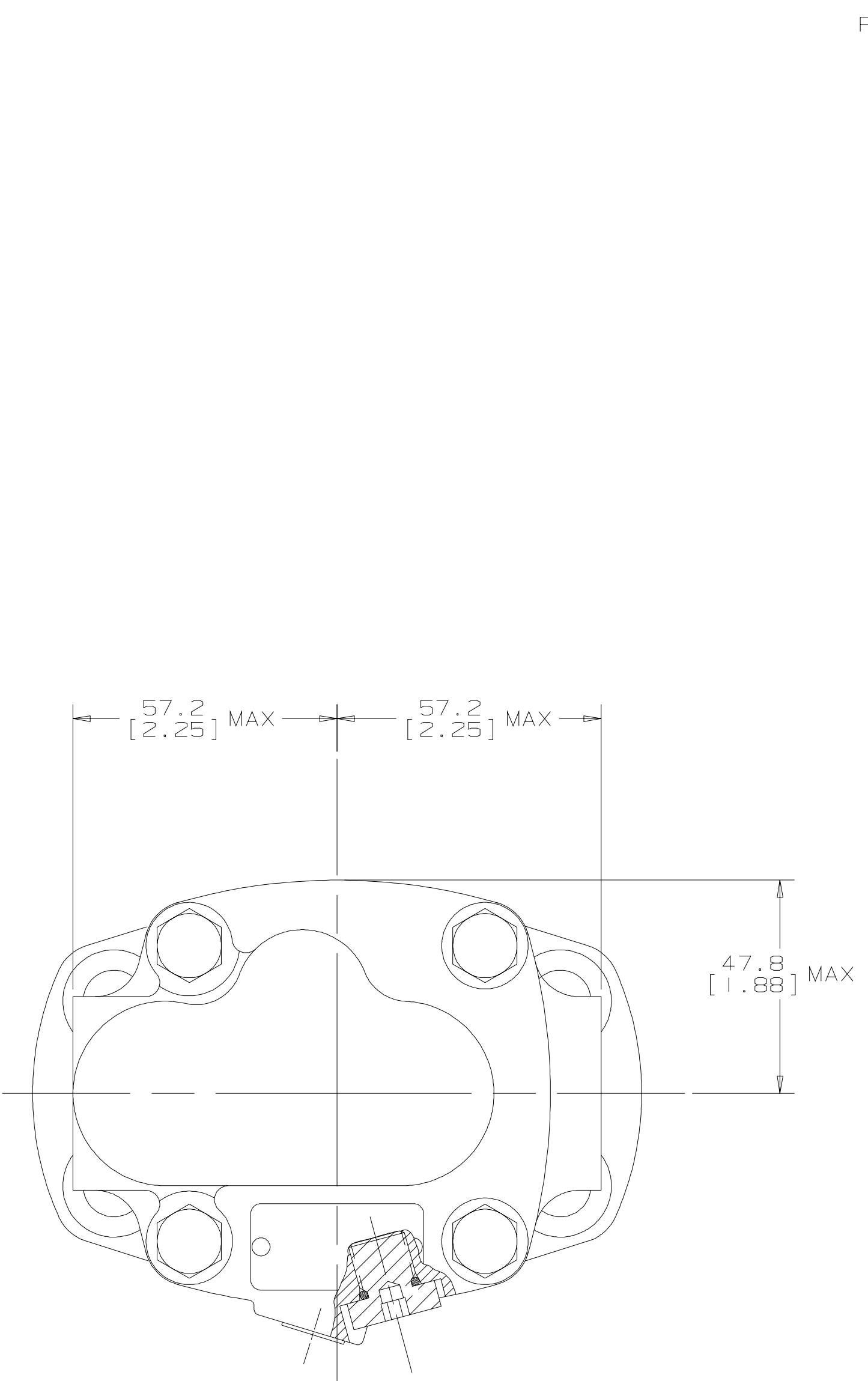


REV	DESCRIPTION	BY	CHK	DATE	ECN
A	ENGINEERING RELEASE	SRK		7-21-04	M62349



NOTE

- ROTATION:
STANDARD: WHEN FACING SHAFT END OF MOTOR, SHAFT TO ROTATE:
CLOCKWISE WHEN PORT "A" IS PRESSURIZED
COUNTERCLOCKWISE WHEN PORT "B" IS PRESSURIZED

REVERSE: WHEN FACING SHAFT END OF MOTOR, SHAFT TO ROTATE:
CLOCKWISE WHEN PORT "B" IS PRESSURIZED
COUNTERCLOCKWISE WHEN PORT "A" IS PRESSURIZED
- MOUNTING TYPE: AJ
STANDARD (MAGNETO), 4 BOLT: Ø 82.6 [3.25] PILOT
Ø 13.59 [.535] HOLES ON Ø 106.4 [4.19] BOLT CIRCLE
2.79 [.110] PILOT LENGTH

G K S

UNLESS OTHERWISE SPECIFIED ALL DIMENSIONS ARE IN		DRAWING BASED ON ANSI Y14.5M-1982	
INCHES <input type="checkbox"/>	MILLIMETERS <input checked="" type="checkbox"/>	THE REPRODUCTION, DISTRIBUTION, AND UTILIZATION OF THIS DOCUMENT, AS WELL AS THE COMMUNICATION OF ITS CONTENTS TO OTHERS WITHOUT EXPLICIT AUTHORIZATION IS PROHIBITED. OFFENDERS WILL BE HELD LIABLE FOR THE PAYMENT OF DAMAGES. ALL RIGHTS RESERVED IN THE EVENT OF THE GRANT OF A PATENT, UTILITY MODEL, OR DESIGN. (PER ISO 16016)	
TOLERANCES			
.X	-----	DRAWN BY/DATE SRK 8-10-04	MATERIAL/HEAT TREAT
.XX	+REF	CHECKED BY/DATE AGJ 8-10-04	
.XXX	+ONLY	ENGR. BY/DATE TIM 8-10-04	TITLE
<	-----	METALLURGY BY/DATE	2000 SERIES MOTOR INSTALL
UNSPECIFIED RADII ARE	-----	THIRD ANGLE PROJECTION	NUMBER
UNSPECIFIED DRAFT ANGLES ARE	-----	DO NOT SCALE	A-671-033
DRAWING FORMAT CAD <input checked="" type="checkbox"/> MANUAL <input type="checkbox"/>		ARITHMETICAL AVERAGE	SCALE 1/1 SHEET 1 OF 1