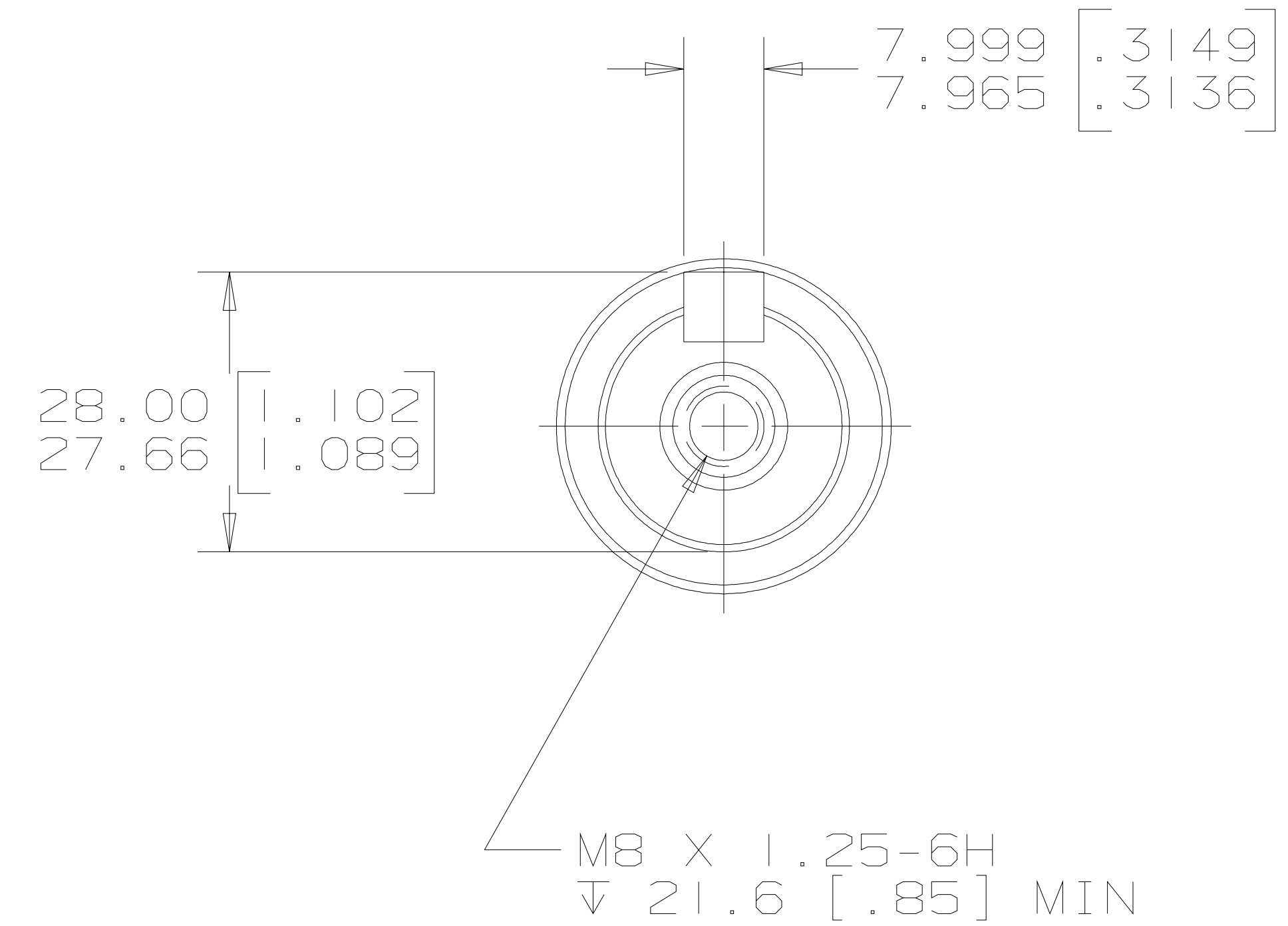
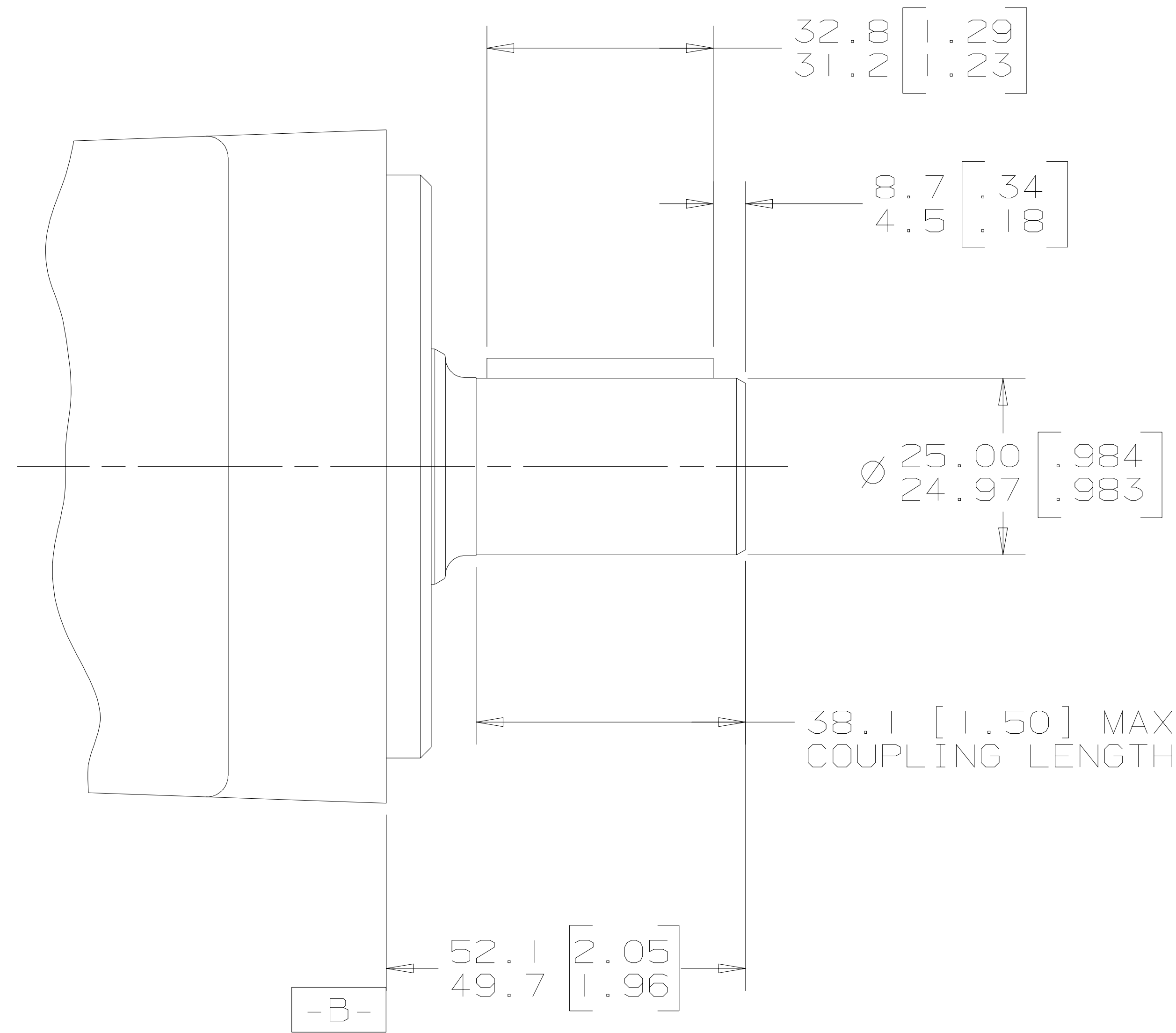


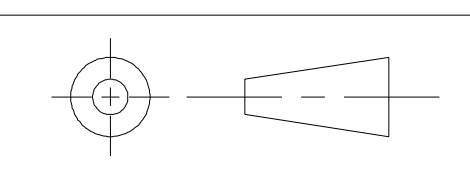
REV	DESCRIPTION	BY	DATE	ECN
A	ENGINEERING RELEASE	AGJ	5-26-93	22833
B	NOTE 1 WAS MOUNTING TYPE: OPTION C	AGJ	5-13-02	41044
C	ADDED SHAFT OPTION 95 TO NOTE 2	AGJ	11-05-03	M60293
D	52.1/49.7 [2.05/1.96] WAS 52.4/49.7 [2.06/1.96]	AGJ	5-17-04	47918
E	NOTE 2 WAS OUTPUT SHAFT: OPTION 26 & 95	PM	4-4-06	54522



G K S

NOTE

- 1 MOUNTING TYPE: OPTION AC, BA & BE
- 2 OUTPUT SHAFT: OPTION 19 & 43

UNLESS OTHERWISE SPECIFIED ALL DIMENSIONS ARE IN INCHES <input type="checkbox"/> MILLIMETERS [INCHES] <input checked="" type="checkbox"/>	DRAWING BASED ON ANSI Y14.5M-1982	
	THE REPRODUCTION, DISTRIBUTION, AND UTILIZATION OF THIS DOCUMENT, AS WELL AS THE COMMUNICATION OF ITS CONTENTS TO OTHERS WITHOUT EXPLICIT AUTHORIZATION IS PROHIBITED. OFFENDERS WILL BE HELD LIABLE FOR THE PAYMENT OF DAMAGES. ALL RIGHTS RESERVED IN THE EVENT OF THE GRANT OF A PATENT, UTILITY MODEL, OR DESIGN. (PER ISO 16016)	
TOLERANCES .X ± ---- .XX ± REF .XXX ± ONLY < ± ----	DRAWN BY/DATE A. JOHNSON 3-16-93 CHECKED BY/DATE SDR 6-24-93	MATERIAL/HEAT TREAT
UNSPECIFIED RADII ARE ----	ENGRG BY/DATE SJZ 6-28-93 METALLURGY BY/DATE ----	TITLE 2000 SERIES MOTOR SHAFT INSTALLATION
UNSPECIFIED DRAFT ANGLES ARE ----	 THIRD ANGLE PROJECTION	MICROINCHES <input type="checkbox"/> MICROMETERS [MICROINCHES] <input type="checkbox"/> ARITHMETICAL AVERAGE <input checked="" type="checkbox"/>
DRAWING FORMAT CADD <input checked="" type="checkbox"/> MANUAL <input type="checkbox"/>	DO NOT SCALE	NUMBER A-683-026 SCALE 1/1 SHEET 1 OF 1

