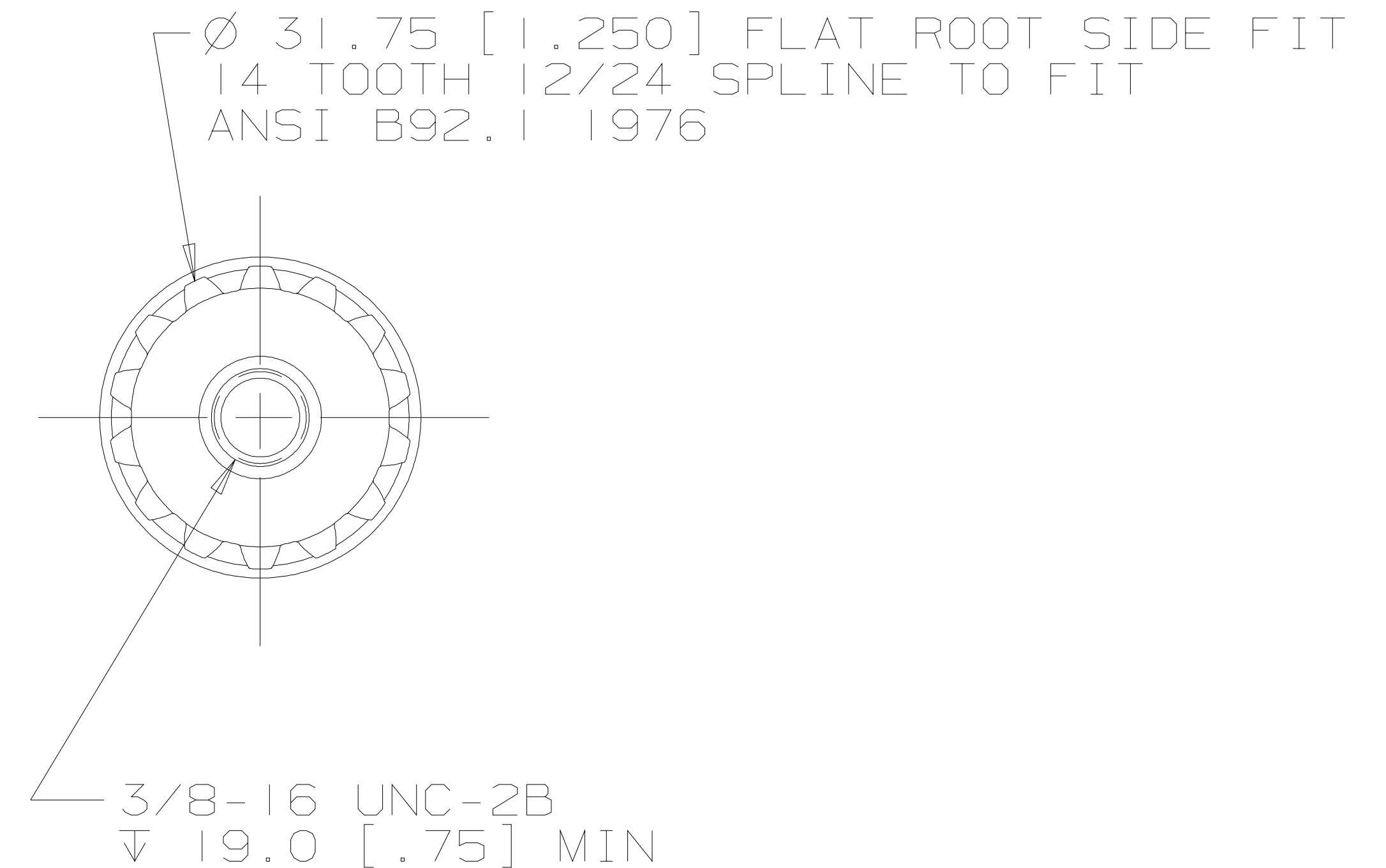
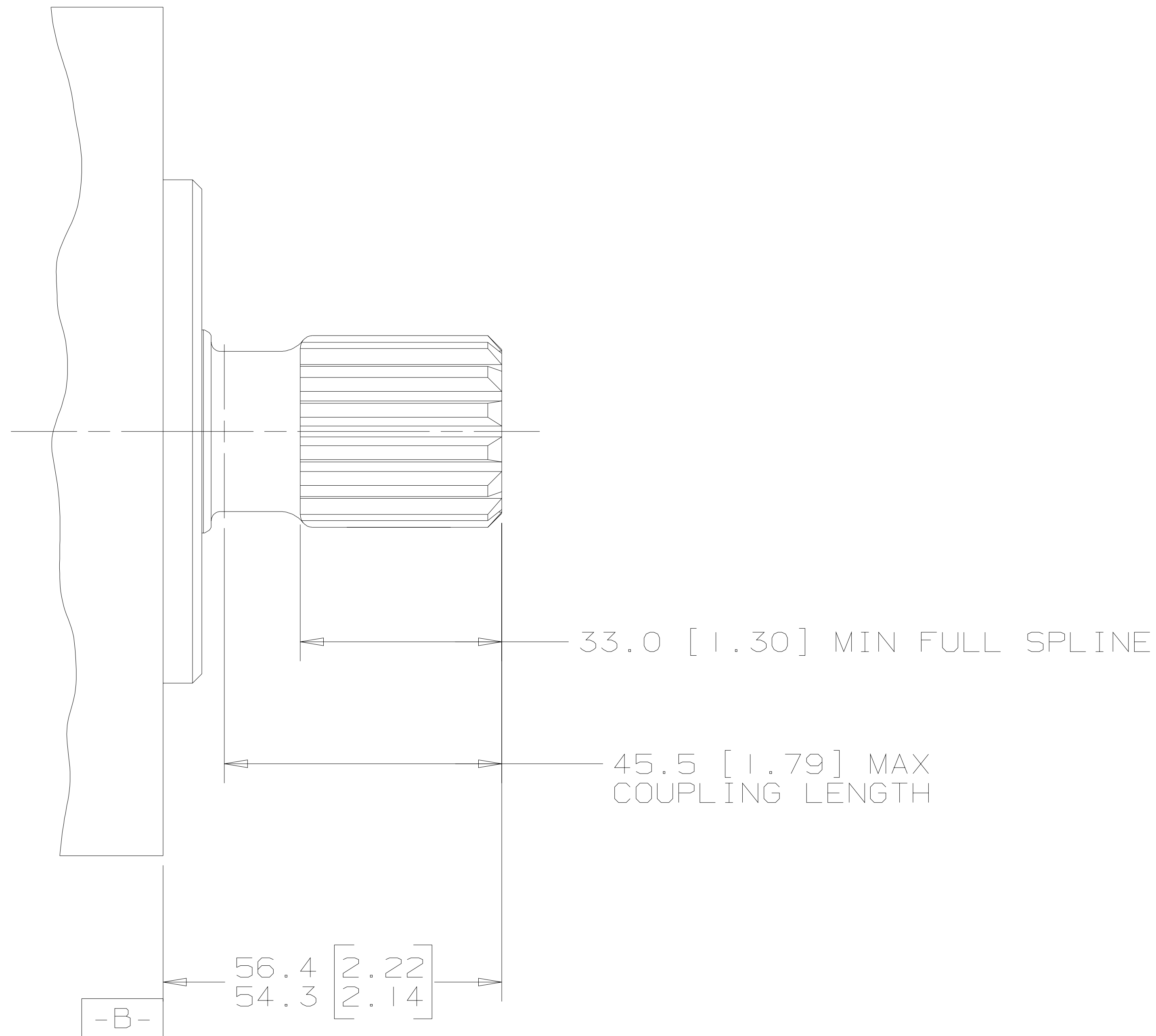


REV	DESCRIPTION	BY	DATE	ECN
A	ENGINEERING RELEASE	AGJ	5-26-93	22833
B	ADDED MOUNTING TYPE W	WRD	2-12-97	M16907
C	NOTE 1 WAS MOUNTING TYPE: OPTION H OR W	AGJ	5-13-02	41044
D	56.4/54.3 [2.22/2.14] WAS 56.7/54.3 [2.23/2.14]	AGJ	5-17-04	47918
E	NOTE 2 WAS OUTPUT SHAFT: OPTION 04 & 28	PM	4-4-06	54522
F	ADDED MOUNTING TYPE: "AS"	JSB	2-5-10	M78336



NOTE

- 1 MOUNTING TYPE: OPTION AH OR AW OR AS
2 OUTPUT SHAFT: OPTION 04 & 21

UNLESS OTHERWISE SPECIFIED ALL DIMENSIONS ARE IN		DRAWING BASED ON ANSI Y14.5M-1982	
INCHES <input type="checkbox"/>	MILLIMETERS [INCHES] <input checked="" type="checkbox"/>	THE REPRODUCTION, DISTRIBUTION, AND UTILIZATION OF THIS DOCUMENT, AS WELL AS THE COMMUNICATION OF ITS CONTENTS TO OTHERS WITHOUT EXPLICIT AUTHORIZATION IS PROHIBITED. OFFENDERS WILL BE HELD LIABLE FOR THE PAYMENT OF DAMAGES. ALL RIGHTS RESERVED IN THE EVENT OF THE GRANT OF A PATENT, UTILITY MODEL, OR DESIGN. (PER ISO 16016)	
TOLERANCES		DRAWN BY/DATE A. JOHNSON 3-19-93 CHECKED BY/DATE SDR 6-24-93 ENGRG BY/DATE SZ 6-28-93 METALLURGY BY/DATE ---	
.X	±----		
.XX	±REF	TITLE 2000 SERIES MOTOR SHAFT INSTALLATION	
.XXX	±ONLY		
<	±----	NUMBER A-687-004	
UNSPECIFIED RADII ARE	----		
UNSPECIFIED DRAFT ANGLES ARE	----	SCALE 1/1 SHEET 1 OF 1	
DRAWING FORMAT CADD <input checked="" type="checkbox"/> MANUAL <input type="checkbox"/>	THIRD ANGLE PROJECTION		
DO NOT SCALE		ARITHMETICAL AVERAGE <input checked="" type="checkbox"/>	

Danfoss