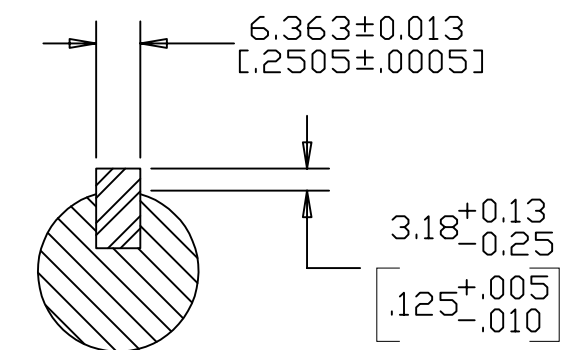
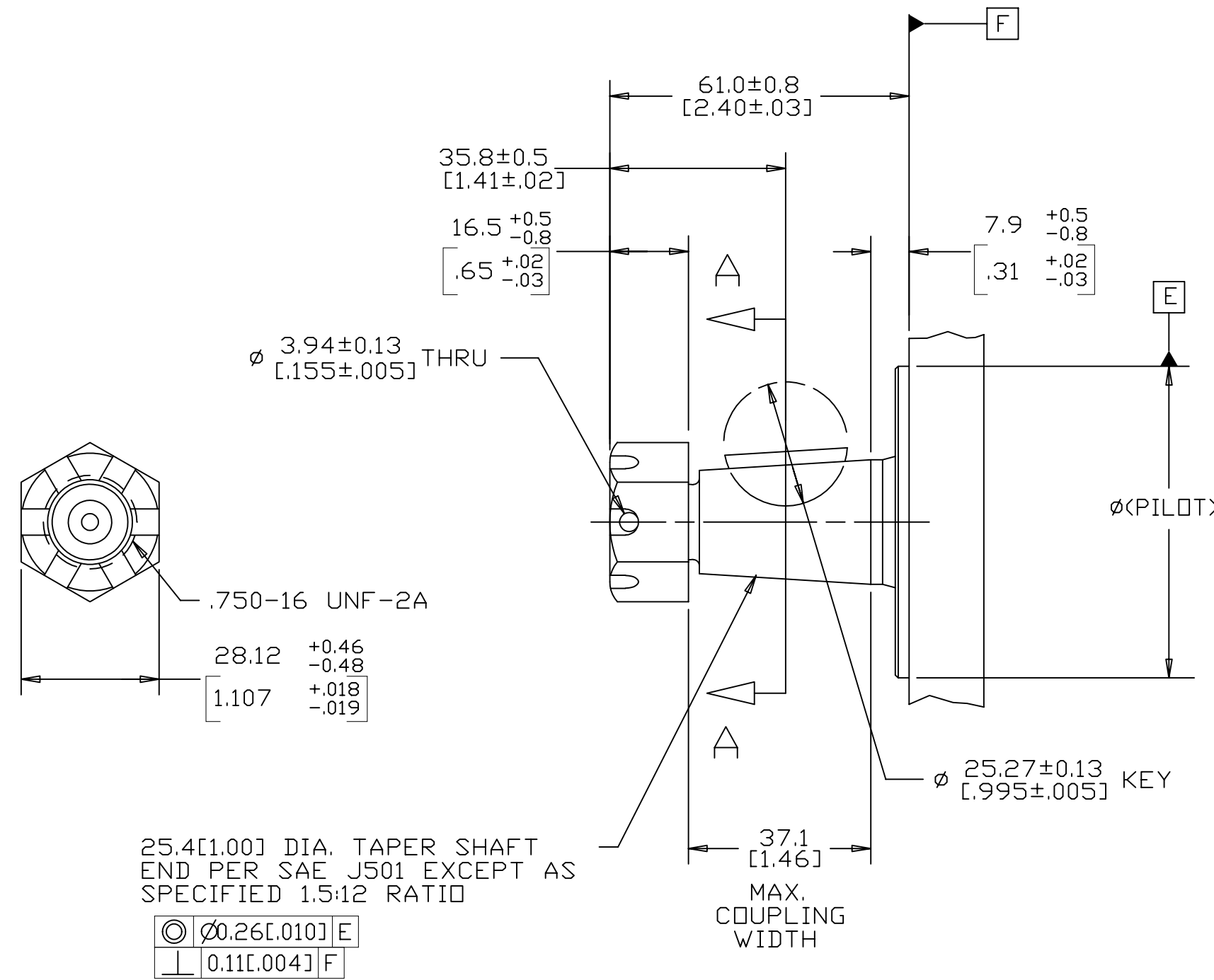


REV	DESCRIPTION	BY	CHK	DATE	ECN / MPS
A	ENGINEERING RELEASE	RLL		11-10-87	14736
B	.125 ^{+0.005} _{-.010} 3,18 ^{0.13} _{0.25} WAS .125±0.005 3,18±0.13	AGJ		3-26-91	20267
C	DIMENSION .65 ^{+0.02} _{-.03} WAS .63±0.01	RCB		12-1-97	30306
D	UPDATED TO CURRENT STANDARD	SSD		5-26-11	M82266



SECTION A-A

25.4 [1.00] DIA. TAPER SHAFT
END PER SAE J501 EXCEPT AS
SPECIFIED 1.5:12 RATIO

⊙	∅.26 [0.010] E
⊥	0.11 [0.004] F

NOTE:

OUTPUT SHAFT:
18 = 25.4 [1.00] DIA. TAPERED WITH
WOODRUFF KEY AND NUT.

REVIEWED FOR CLASSIFICATION PER ESP-042

UNLESS OTHERWISE SPECIFIED ALL DIMENSIONS ARE IN INCHES <input type="checkbox"/> MILLIMETERS <input checked="" type="checkbox"/>		DRAWING BASED ON ASME Y14.5M-1994																		
TOLERANCES .X ± ---- .XX ± ---- .XXX ± ---- ∠ ± -°--		THE REPRODUCTION, DISTRIBUTION, AND UTILIZATION OF THIS DOCUMENT, AS WELL AS THE COMMUNICATION OF ITS CONTENTS TO OTHERS WITHOUT EXPLICIT AUTHORIZATION IS PROHIBITED. OFFENDERS WILL BE HELD LIABLE FOR THE PAYMENT OF DAMAGES. ALL RIGHTS RESERVED IN THE EVENT OF THE GRANT OF A PATENT, UTILITY MODEL, OR DESIGN. (PER ISO 16016)																		
UNSPECIFIED RADII ARE: ----		<table border="1"> <tr> <td>DRAWN BY/DATE</td> <td>RLL 11-3-87</td> <td>MATERIAL/HEAT TREAT</td> <td>-</td> </tr> <tr> <td>CHECKED BY/DATE</td> <td>K. QUASS 1-13-88</td> <td></td> <td></td> </tr> <tr> <td>ENGRG BY/DATE</td> <td>W.C.W. 1-19-88</td> <td>TITLE</td> <td>-</td> </tr> <tr> <td>METALLURGY BY/DATE</td> <td>----</td> <td></td> <td></td> </tr> </table>	DRAWN BY/DATE	RLL 11-3-87	MATERIAL/HEAT TREAT	-	CHECKED BY/DATE	K. QUASS 1-13-88			ENGRG BY/DATE	W.C.W. 1-19-88	TITLE	-	METALLURGY BY/DATE	----				
DRAWN BY/DATE	RLL 11-3-87	MATERIAL/HEAT TREAT	-																	
CHECKED BY/DATE	K. QUASS 1-13-88																			
ENGRG BY/DATE	W.C.W. 1-19-88	TITLE	-																	
METALLURGY BY/DATE	----																			
UNSPECIFIED DRAFT ANGLES ARE: ----		THIRD ANGLE PROJECTION																		
C SIZE		DO NOT SCALE																		
		<table border="1"> <tr> <td>NUMBER</td> <td>A-109-018</td> </tr> <tr> <td>SCALE</td> <td>1/1 SHEET 1 OF 1</td> </tr> </table>		NUMBER	A-109-018	SCALE	1/1 SHEET 1 OF 1													
NUMBER	A-109-018																			
SCALE	1/1 SHEET 1 OF 1																			