

WEATHERHEAD PART NUMBER	AEROQUIP PART NUMBER	TH'D "P"	A REF	B REF	C REF	D REF	E REF	F REF	G REF	H REF	K ±0.25 [±.010]
10004B-102	4738-2-4B	1/8-27	36.8 [1.45]	7.6 [.30]	10.2 [.40]	4.8 [.19]	17.8 [.70]	4.3 [.17]	4.3 [.17]	7/16	17.5 [.689]
10004B-104	4738-4-4B	1/4-18	41.4 [1.63]	7.6 [.30]	14.7 [.58]	4.8 [.19]	22.4 [.88]	4.3 [.17]	4.3 [.17]	9/16	17.5 [.689]
10005B-102	4738-2-5B	1/8-27	37.8 [1.49]	7.4 [.29]	10.2 [.40]	4.6 [.18]	17.3 [.68]	4.3 [.17]	6.1 [.24]	1/2	18.5 [.730]
10005B-104	4738-4-5B	1/4-18	42.9 [1.69]	7.6 [.30]	14.7 [.58]	4.8 [.19]	22.4 [.88]	4.3 [.17]	6.1 [.24]	9/16	18.5 [.730]
10006B-102	4738-2-6B	1/8-27	39.9 [1.57]	7.9 [.31]	10.2 [.40]	5.1 [.20]	18 [.71]	4.3 [.17]	7.6 [.30]	9/16	22 [.866]
10006B-104	4738-4-6B	1/4-18	45.7 [1.80]	9.1 [.36]	14.7 [.58]	6.4 [.25]	23.9 [.94]	4.3 [.17]	7.6 [.30]	9/16	22 [.866]
10004B-106	4738-6-4B	3/8-18	42.9 [1.69]	9.1 [.36]	14.7 [.58]	6.4 [.25]	23.9 [.94]	4.3 [.17]	4.3 [.17]	11/16	17.5 [.689]
10006B-106	4738-6-6B	3/8-18	45.7 [1.80]	9.1 [.36]	14.7 [.58]	6.4 [.25]	23.9 [.94]	4.3 [.17]	7.6 [.30]	11/16	22 [.866]
10008B-106	4738-6-8B	3/8-18	49.5 [1.95]	9.1 [.36]	14.7 [.58]	6.4 [.25]	23.9 [.94]	4.3 [.17]	9.9 [.39]	3/4	24.9 [.980]
10008B-108	4738-8-8B	1/2-14	55.9 [2.20]	10.7 [.42]	19.3 [.76]	7.9 [.31]	30.2 [1.19]	4.3 [.17]	9.9 [.39]	7/8	24.9 [.980]
10010B-108	4738-8-10B	1/2-14	69.3 [2.73]	10.7 [.42]	19.3 [.76]	7.9 [.31]	30.2 [1.19]	4.3 [.17]	12.2 [.48]	7/8	29.4 [1.156]
10012B-112	4738-12-12B	3/4-14	70.4 [2.77]	12.4 [.49]	19.3 [.76]	9.7 [.38]	31.8 [1.25]	4.3 [.17]	15.5 [.61]	1 1/16	32.6 [1.283]
10016B-116	4738-16-16B	1-11 1/2	78.2 [3.08]	12.4 [.49]	24.4 [.96]	9.7 [.38]	36.8 [1.45]	4.3 [.17]	21.6 [.85]	1 3/8	38.2 [1.504]

AS 2
AS 2
AS 2

REVISIONS			
REV	DESCRIPTION	DATE	APPROVED
AS	REDRAWN AND REDESIGNED UPDATED TO DANFOSS FORMAT & DIMENSION STYLE. 1) ADDED WEATHERHEAD PART NUMBER COLUMN. 2) ADDED PARTS #4738-16-16B, #4738-2-6B, #4738-4-5B & #4738-2-5B. 3) REMOVED PART #4738-16-12B	2014-06-19 KRC/VPC	D098002-ECO

METRIC

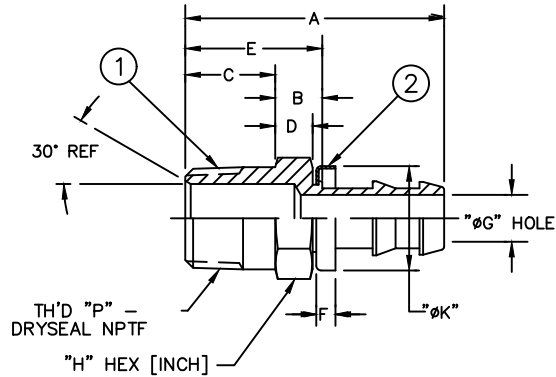
AS 1

AS 2 AS 3

10016B-116	4738-16-16B	10016B-B00116	FF91126-16		
10012B-112	4738-12-12B	FW1919-1212B	FF91126-12		
10010B-108	4738-8-10B	FW1919-0810B	FF91126-10		
10008B-108	4738-8-8B	FW1919-0808B	FF91126-8		
10008B-106	4738-6-8B	FW1919-0608B	FF91126-8		
10006B-106	4738-6-6B	FW1919-0606B	FF91126-6		
10004B-106	4738-6-4B	FW1919-0604B	FF91126-4		
10006B-104	4738-4-6B	FW1919-0406B	FF91126-6		
10006B-102	4738-2-6B	FW1919-0206B	FF91126-6		
10005B-104	4738-4-5B	FW1919-0405B	FF91126-5		
10005B-102	4738-2-5B	FW1919-0205B	FF91126-5		
10004B-104	4738-4-4B	FW1919-0404B	FF91126-4		
10004B-102	4738-2-4B	FW1919-0204B	FF91126-4		
WEATHERHEAD PART NUMBER	AEROQUIP PART NUMBER	① NIPPLE	② HOSE CAP		

AS 1

AS 2



1. DIMENSIONS ARE IN MILLIMETERS [INCHES].

LIST OF MATERIALS

ITEM NO.	MATERIAL	DRAWN K. CHAVAN	CHECKED V. CHOUDHARI	APPROVED Y. KULKARNI	RELEASE DATE 2014-06-19	0098002	FLUID CONVEYANCE DIVISION
1	BRASS						DRAWING TITLE FITTING ASSEMBLY MALE PIPE, 2556 HOSE
2	SANTOPRENE-BLUE						
		THIRD ANGLE PROJECTION	SIZE A2	DRAWING NUMBER 4738-B	REV AS		
		SCALE NONE	DIST U	CAGE CODE 01276	SHEET 1		

THE REPRODUCTION, DISTRIBUTION AND UTILIZATION OF THIS DOCUMENT AS WELL AS THE COMMUNICATION OF ITS CONTENTS TO OTHERS WITHOUT EXPLICIT AUTHORIZATION IS PROHIBITED. OFFENDERS WILL BE HELD LIABLE FOR THE PAYMENT OF DAMAGES. ALL RIGHT RESERVED IN THE EVENT OF THE GRANT OF A PATENT, UTILITY MODEL OR DESIGN. (PER ISO 16016)