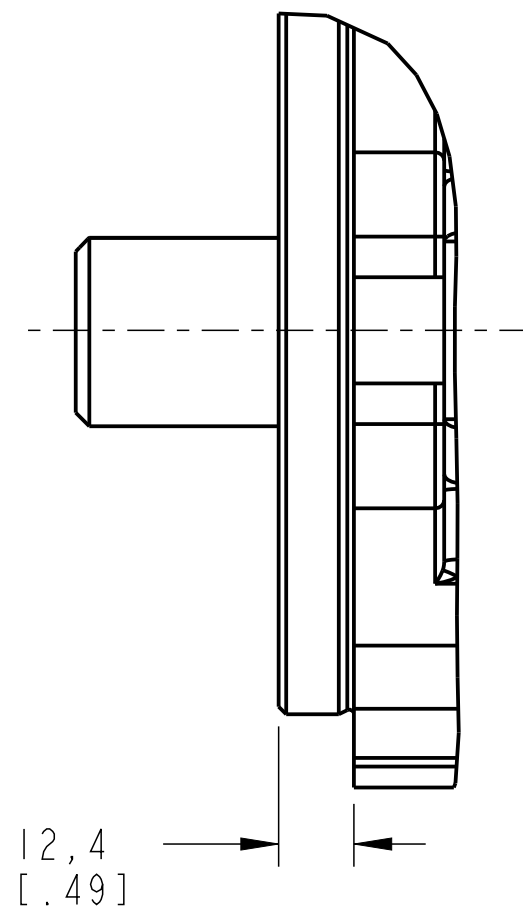
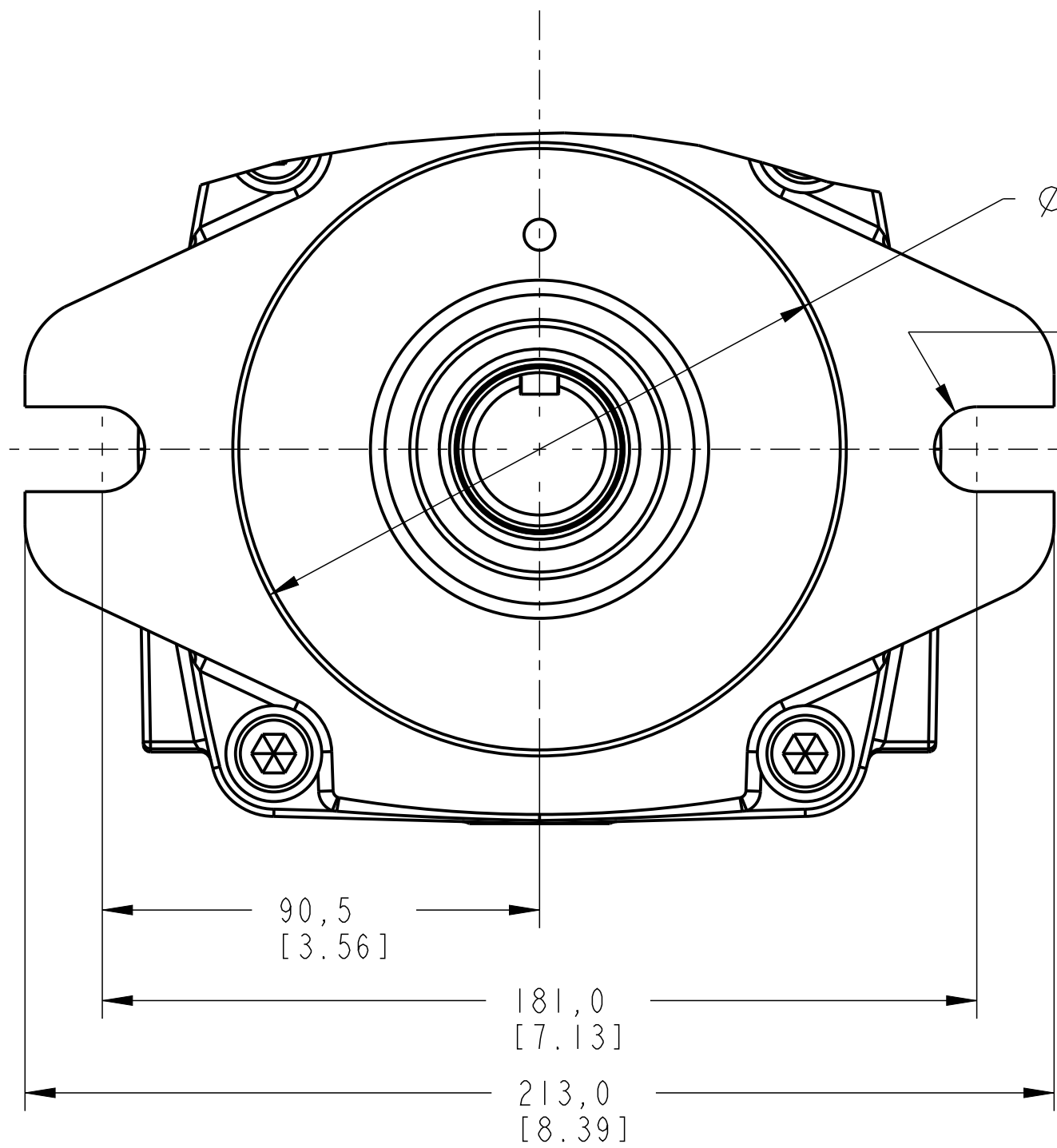


REV	DESCRIPTION	BY	CHK	DATE	CO
A	ENGINEERING RELEASE	JLW	JGS	09/21/00	36517
B	UPDATED DRAWING TEMPLATE AS PER DANFOSS STANDARDS	PRM	TTM	03/09/23	CO-0228437



REVIEWED FOR CLASSIFICATION PER ESP-042

DRAWN BY/DATE	JLW	11/20/00
CHECKED BY/DATE	JGS	12/21/00
ENGRG BY/DATE	JI	02/08/01
MFG BY/DATE	----	----

PRODUCT FIRST USED ON : PVM PUMP		CHANGE ID		REV ITEMS	STATUS/DATE (DD/MM/YY)	RAW MATERIAL SPECIFICATION
UNLESS OTHERWISE SPECIFIED <input checked="" type="checkbox"/> LEGACY VICKERS ITEM INTERPRET PER VS 1-3-3-1		CO-0228437	B	REVISED	09/03/23	----
METRIC <input checked="" type="checkbox"/> INCHES <input type="checkbox"/>	LAB OFFICE					DRAWING INTERPRETATION PER 504H0074
TOLERANCES	----					DWG NO A-2215-005   REV B
.X ± 0.8 ± ---						DRAWING TITLE
.XX ± 0.25 ± .03						MOUNTING FLANGE INSTALLATION
.XXX ± --- ± .010						PART NO A-2215-005
UNSPECIFIED RADII ARE: <math>\leq \pm 2^\circ</math>	THE REPRODUCTION, DISTRIBUTION AND UTILIZATION OF THIS DOCUMENT AS WELL AS THE COMMUNICATION OF ITS CONTENTS TO OTHER WITHOUT EXPLICIT AUTHORIZATION IS PROHIBITED. OFFENDERS WILL BE HELD LIABLE FOR THE PAYMENT OF DAMAGES. ALL RIGHT RESERVED IN THE EVENT OF THE GRANT OF A PATENT, UTILITY MODEL OR DESIGN. (PER ISO 16016)				SCALE 1/1	
UNSPECIFIED DRAFT ANGLES: ---°					SHEET 1 OF 1	
SURFACE ROUGHNESS: ---						
NO BURRS B SIZE						

NOTE

- 1 UNLESS OTHERWISE SPECIFIED ALL DIMENSIONS ARE NOMINAL
- 2 MOUNTING FLANGE CONFORMS TO SAE J744-127-2, 2-BOLT "C"